

BIT25 INSTRUCTIONS FOR USE

Thank you for having chosen an LAE electronic product. Before installing the instrument, please read this instruction booklet carefully in order to ensure safe installation and optimum performance.

DESCRIPTION



Fig.1 - Front panel

- Info / Setpoint button.
- Manual defrost / Decrease button.

INDICATIONS

- Thermostat output
- Fan output
- Defrost output
- Activation of 2nd parameter set
- Alarm

- Increase button / Manual activation.
- Exit / Stand-by button.

INSTALLATION

- The BIT-25 controller has a size 86x82x44 mm (WxHxD).
- Make sure that electrical connections comply with the paragraph "wiring diagrams". To reduce the effects of electromagnetic disturbance, keep the sensor and signal cables well separate from the power wires.
- Place the probe T1 inside the room in a point that truly represents the temperature of the stored product.
- If present, place the probe T2 on the evaporator where there is the maximum formation of frost.
- If probe T3 is connected to DI2, its function is determined by the parameter T3M. With T3M=DSP the probe measures the temperature to be displayed. With T3M=CND the probe measures the condenser temperature, it must therefore be placed between the fins of the condensing unit.

OPERATION

DISPLAY

During normal operation, the display shows either the temperature measured or one of the following indications:

dEF	Defrost in progress	h ₁	Room high temperature alarm
oFF	Controller in stand-by	l ₀	Room low temperature alarm
cL	Condenser clean warning	E1	Probe T1 failure
dO	Door open alarm	E2	Probe T2 failure
h _c	Condenser high temperature alarm	E3	Probe T3 failure
ALr	Generic Alarm		

INFO MENU

The information available in this menu is:

E1	Instant probe 1 temperature	EL0	Minimum probe 1 temperature recorded
E2*	Instant probe 2 temperature	cnd**	Compressor working weeks
E3*	Instant probe 3 temperature	Loc	Keypad state lock
h ₁	Maximum probe 1 temperature recorded		

*: displayed only if enabled (see § Configuration Parameters) ** : displayed only if ACC > 0

Access to menu and information displayed.

- Press and immediately release button (I).
- With button (V) or (A) select the data to be displayed.
- Press button (I) to display value.
- To exit from the menu, press button (X) or wait for 10 seconds.
- Reset of THI, TLO, CND recordings**
- With button (V) or (A) select the data to be reset.
- Display the value with button (I).
- While keeping button (I) pressed, use button (X).

SETPOINT : display and modification

- Press button (I) for at least half second, to display the setpoint value.
- By keeping button (I) pressed, use button (V) or (A) to set the desired value (adjustment is within the minimum SPL and the maximum SPH limit).
- When button (I) is released, the new value is stored.

STAND-BY

Button (SB), when pressed for 3 seconds, allows the controller to be put on a standby or output control to be resumed (with SB=YES only).

KEYPAD LOCK

The keypad lock avoids undesired, potentially dangerous operations, which might be attempted when the controller is operating in a public place. In the INFO menu, set parameter LOC=YES to inhibit all functions of the buttons. To resume normal operation of keypad, adjust setting so that LOC=NO.

SELECTION OF SECOND PARAMETER GROUP

It's possible to select control parameters between two different pre-programmed groups, in order for the fundamental control parameters to be adapted quickly to changing needs. Changeover from Group I to Group II (and vice versa) may take place MANUALLY by pressing button (M) for 2 seconds (with IISM=MAN), or AUTOMATICALLY when IISM=DI2 and the AUXILIARY INPUT DI2 is activated (the activation of DI2 selects Group II). If IISM=NON, switchover to Group II is inhibited. The activation of Group II is signalled by the lighting up of the relevant LED on the controller display.

SETPOINT ADJUSTMENT VIA POTENTIOMETER

With DI2=PSP the setpoint is set via a 10KΩ linear potentiometer connected to DI2. The setpoint changes between PSL (10KΩ) and PSL+PSR (0Ω) proportionally. With POF=YES, if the potentiometer is turned to the minimum (0Ω), the controller will be put on standby. If the second parameter group is active, the setpoint used will be IISP.

DEFROST

Automatic defrost. Defrost starts automatically when the defrost timer matches the time value set with DFT.

- Timed defrost.** With DFM=TIM defrosts take place at regular intervals of DFT hours. For example, with DFM=TIM and DFT=06, a defrost will take place every 6 hours.
- Optimized defrost.** With DFM=FRO the timer is increased only when the condition for frost to form in the evaporator occurs. Once the DFT value is reached, defrost takes place. If the evaporator works at 0°C, defrost frequency depends on the thermal load and climatic conditions. With setpoints much lower than 0°C, defrost frequency mainly depends on the refrigerator operating time.
- Defrost time count backup.** At the power-up, if DFB=YES, the defrost timer resumes the time count from where it was left off before the power interruption. Vice versa, with DFB=NO, the time count re-starts from 0. In stand-by, the accumulated time count is frozen.

Manual or remote defrost start. It's possible to manually start a defrost, by pressing button (M) for 2 seconds, or defrost may be started remotely, if DI1=RDS (DI2=RDS), through the making of the auxiliary contact DI1 (DI2).

Defrost type. Once defrost has started, Compressor and Defrost outputs are controlled according to parameter DTY. If FID=YES, the evaporator fans are active during defrost.

Defrost termination. The actual defrost duration is influenced by a series of parameters.

- Time termination:** T2=NO. the evaporator temperature is not monitored and defrost will last as long as time DTO.
- Temperature termination:** T2=YES. In this case, if the sensor T2 measures the temperature DLI before the time DTO elapses, defrost will be terminated in advance.

Resuming thermostatic cycle. When defrost is over, if DRN is greater than 0, all outputs will remain off for DRN minutes, in order for the ice to melt completely and the resulting water to drain. Moreover, the fans will re-start only when the evaporator temperature is lower than FDD (if T2=YES), or after FTO minutes have elapsed.

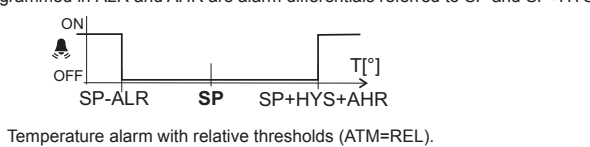
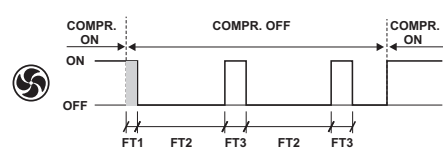
Caution: if DFM=NON all defrost functions are inhibited; if DFT=0, automatic defrost functions are excluded; during a high pressure alarm or a DI1 (DI2) generic alarm, defrost is suspended; during defrost, high temperature alarm is bypassed.

CONFIGURATION PARAMETERS

- To get access to the parameter configuration menu, press button (M) + (I) for 5 seconds.
- With button (V) or (A) select the parameter to be modified.
- Press button (I) to display the value.
- By keeping button (I) pressed, use button (V) or (A) to set the desired value.
- When button (I) is released, the newly programmed value is stored and the following parameter is displayed.
- To exit from the setup, press button (X) or wait for 30 seconds.

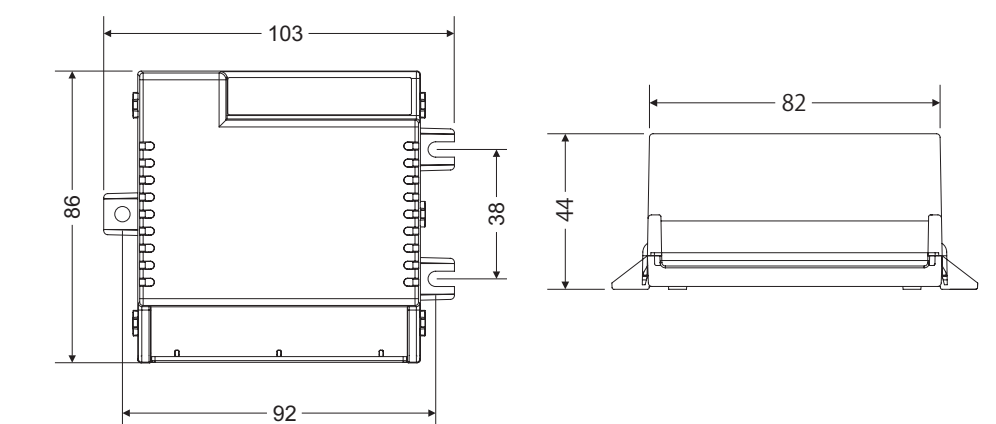
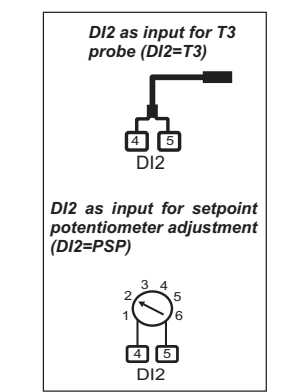
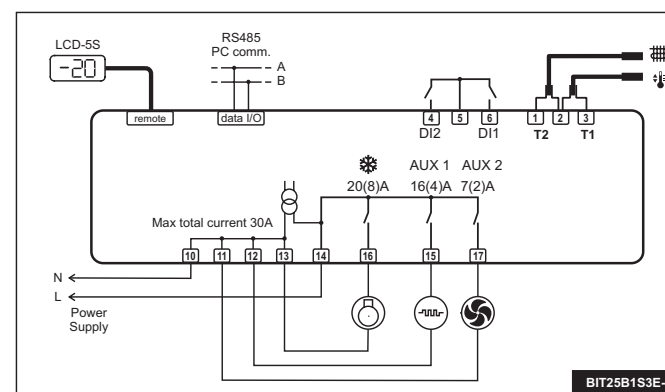
PAR	RANGE	DESCRIPTION
SPL	-50...SPH	Minimum limit for SP setting.
SPH	SPL...110°C	Maximum limit for SP setting.
SP	SPL... SPH	Setpoint (value to be maintained in the room).
HYS	1.0...10.0°C	OFF/ON thermostat differential.

CRT	0...30min	Compressor rest time. The output is switched on again after CRT minutes have elapsed since the previous switchover. We recommend to set CRT=03 with HYS<2.0°.
CT1	0...30min	Thermostat output run when probe T1 is faulty. With CT1=0 the output will always remain OFF.
CT2	0...30min	Thermostat output stop when probe T1 is faulty. With CT2=0 and CT1=0 the output will always be ON. Example: CT1=4, CT2= 6: In case of probe T1 failure, the compressor will cycle 4 minutes ON and 6 minutes OFF.
CSD	0...30min	Compressor stop delay after the door has been opened (active only if D1=DOR or DI2=DOR).
DFM	NON; TIM; FRO	Defrost start mode NON : defrost function is disabled (<i>the following parameter will be</i> FCM). TIM : regular time defrost. FRO : the defrost time count is only increased when the conditions occur for frost to form on the evaporator (optimised time increase).
DFT	0...99 hours	Built-in timer value for an automatic defrost to take place.
DFB	NO/YES	Defrost timer backup. With DFB=YES, after a power interruption, the timer resumes the count from where it was left off with ±30 min. approximation. With DFB=NO, after a power interruption, the defrost timer will re-start to count from zero.
DLI	-50...110°C	Defrost end temperature.
DTO	1...120min	Maximum defrost duration.
DTY	OFF; ELE; GAS	Defrost type OFF : off cycle defrost (Compressor and Heater OFF). ELE : electric defrost (Compressor OFF and Heater ON). GAS : hot gas defrost (Compressor and Heater ON).
DPD	0...240sec	Evaporator pump down. At the beginning of defrost, defrost outputs (determined by DTY) are OFF for DPD seconds.
DRN	0...30min	Pause after defrost (evaporator drain down time).
DDM	RT; LT; SP; DEF	Defrost display mode. During defrost the display will show: RT : the real temperature; LT : the last temperature before defrost; SP : the current setpoint value; DEF : "dEF".
DDY	0...60min	Display delay. The display shows the information selected with parameter DDM during defrost and for DDY minutes after defrost termination.
FID	NO/YES	Fans active during defrost.
FDD	-50...110°C	Evaporator fan re-start temperature after defrost (referred to T2 probe).
FTO	0...120min	Maximum evaporator fan stop after defrost.
FCM	NON; TMP; TIM	Fan mode during thermostatic control. NON : The fans remain ON all the time; TMP : Temperature-based control. The fans are ON when the compressor is ON. When the compressor is turned OFF, the fans remain ON as long as the temperature difference T2-T1 is greater than FDT. The fans are turned ON again with FDH differential. (T1 = Air temperature, T2 = Evaporator temperature); TIM : Timed-based control. The fans are ON when the compressor is ON. When the compressor is OFF, the fans switch ON and OFF according to parameteres FT1, FT2, FT3.
FDT	-12.0...0.0°C	Evaporator-Air temperature difference for the fans to turn OFF after the compressor has stopped.
FDH	1.0 ...12.0°C	Temperature differential for fan re-start. Example: FDT = -1.0, FDH=3.0. In this case, after the compressor has stopped, the fans are OFF when T2 > T1 - 1.0 (FDT), whereas the fans are ON when T2 < T1 - 4.0 (FDT-FDH).
FT1	0...180sec	Fan stop delay after compressor stop.
FT2	0 ... 30min	Timed fan stop. With FT2=0 the fans remain on all the time.
FT3	0 ... 30min	Timed fan run. With FT3=0, and FT2 > 0, the fans remain off all the time.
ATM	NON; ABS; REL	Alarm threshold management. NON : all temperature alarms are inhibited (<i>the following parameter will be</i> ADO). ABS : the values programmed in ALA and AHA represent the real alarm thresholds. REL : the values programmed in ALR and AHR are alarm differentials referred to SP and SP+HYS.
ALA	-50 ... 110°C	Low temperature alarm threshold.
AHA	-50 ... 110°C	High temperature alarm threshold.
ALR	-12.0...0.0°C	Low temperature alarm differential. With ALR=0 the low temperature alarm is excluded.
AHR	0.0 ...12.0°C	High temperature alarm differential. With AHR=0 the high temperature alarm is excluded.
ATI	T1; T2; T3	Probe used for temperature alarm detection.
ATD	0 ... 120min	Delay before alarm temperature warning.
ADO	0 ... 30min	Delay before door open alarm warning.
AHM	NON; ALR; STP	Operation in case of high condenser alarm NON : high condenser alarm inhibited (<i>the following parameter will be</i> ACC). ALR : in case of alarm, "HC" flashes in the display and the buzzer is switched on. STP : in addition to the alarm symbols displayed, the compressor is stopped and defrosts are suspended.
AHT	-50...110°C	Condensation temperature alarm (referred to T3 probe). [only if AHM=ALR or AHM=STP]
ACC	0 ... 52 weeks	Condenser periodic cleaning. When the compressor operation time, expressed in weeks, matches the ACC value programmed, "CL" flashes in the display. With ACC=0 the condenser cleaning warning is disabled and CND disappears from Info Menu.
IISM	NON; MAN; DI2	Switchover mode to second parameter set NON : inhibition to use the second parameter group (<i>the following parameter will be</i> SB). MAN : button (M) switches the two parameter groups over. DI2 : switchover to the second parameter group when the auxiliary DI2 input makes.



IISL	-50... IISH	Minimum limit for IISP setting.
IISH	IISL... 110°C	Maximum limit for IISP setting.
IISP	IISL... IISH	Setpoint in mode 2.
IHY	1.0... 10.0°C	OFF/ON differential in mode 2.
IIFC	NON; TMP; TIM	Fan control in mode 2. See FCM.
IIDF	0...99 hours	Built-in timer value for an automatic defrost to take place, in mode 2.
SB	NO/YES	Stand-by button (SB) enabling.
DI1	NON; DOR; ALR; RDS	DI1 digital input operation NON : digital input 1 not active. DOR : door input. ALR : when contact opens an alarm is generated (if AHM=STP, the compressor is stopped and defrosts are suspended). RDS : when contact makes a defrost is started (remote control).
DI2	NON; DOR; ALR; RDS; IISM; T3; PSP	DI2 digital input operation NON : digital input 2 not active. DOR : door input. ALR : when contact opens an alarm is generated (if AHM=STP, the compressor is stopped and defrosts are suspended). RDS : when contact makes a defrost is started (remote control). IISM : when contact makes the second parameter group is active. T3 : probe T3 input. PSP : potentiometer setpoint input.
T3M	DSP; CND	Auxiliary probe T3 operation DSP : temperature T3 to be displayed. CND : condenser temperature measurement.
OS3	-12.5..12.5°C	Probe 3 offset.
PSL	-50...70°C	Minimum setpoint adjusted via potentiometer.
PSR	0.0...15.0 °C	Range of setpoint adusted via potentiometer Example: with PSL=2.0 and PSR=8.0, the setpoint changes between 2.0°C and 10.0°C (PSL+PSR).
POF	NO/YES	Potentiometer standby enabling. With POF=YES, when the potentiometer is turned to the minimum, the controller will be put on standby.
LSM	NON; MAN; D1O; D2O; D2C	Light control mode NON : light output not controlled. MAN : light ouput controlled through button (M) D1O : when DI1 is open, light output is on. D2O : when DI2 is open, light output is on. D2C : when DI2 is closed, light output is on.
OA1	NON; FAN; DEF; LGT; 0-1; ALO; ALC	AUX 1 output operation NON : output disabled (always off). FAN : output enabled for fan control. DEF : output enabled for defrost control. LGT : output enabled for light control. 0-1 : the relay contacts follow the on/standby state of controller. ALO : contacts open when an alarm condition occurs. ALC : contacts make when an alarm condition occurs.
OA2	See OA1	AUX2 output operation. See OA1.
OS1	-12.5..12.5°C	Probe T1 offset.
T2	NO/YES	Probe T2 enabling (evaporator).
OS2	-12.5..12.5°C	Probe T2 offset.
TLD	1...30 min	Delay for minimum temperature (TLO) and maximum temperature (THI) logging.
SCL	1°C; 2°C; °F	Readout scale. 1°C : measuring range -50...110°C (0.1°C resolution within -9.9 + 19.9°C interval, 1°C outside) 2°C : measuring range -50...110°C °F : measuring range -58...180°F
SIM	0...100	Display slowdown.
ADR	1...255	BIT25 address for PC communication.

WIRING DIAGRAMS



TECHNICAL DATA

Power supply
BIT25..E 230Vac±10%, 50/60Hz, 3W
BIT25..U 115Vac±10%, 50/60Hz, 3W
BIT25..W 115...230Vac±10%, 50/60Hz, 3W

Relay output max loads
Compressor 20(8)A 240Vac
Auxiliary loads 1 16(4)A 240Vac
Auxiliary loads 2 7(2)A 240Vac

Input
NTC 10KΩ@25°C LAE Part No. SN4...

Measurement Range
-50 / -9.9 ... 19.9 / 110°C
-50...110°C, -58...180°F

Measurement accuracy
<0.5°C within the measurement range

Operating conditions
-10 ... +50°C; 15%...80% r.H.

CE (Approvals and Reference norms)
EN60730-1; EN60730-2-9; EN55022 (Class B); EN50082-1

lae
ELECTRONIC

VIA PADOVA, 25
31046 ODERZO /TV /ITALY
TEL. +39 - 0422 815320
FAX +39 - 0422 814073
www.lae-electronic.com
E-mail: sales@lae-electronic.com

BIT25 BEDIENUNGSANLEITUNG

Wir danken Ihnen, dass Sie sich für ein Produkt der Firma LAE electronic entschieden haben. Lesen Sie vor der Installation des Gerätes bitte aufmerksam die vorliegende Bedienungsanleitung durch: Nur so können wir Ihnen höchste Leistungen und Sicherheit garantieren

BESCHREIBUNG



Abb. 1 - Bedienteil

- Taste Info / Setpoint.
- Taste Manuelle Abtaugung / Down.

ANGABEN

- Wärmeregelungsausgang
- Lüfterausgang
- Abtaugausgang
- Aktivierung des 2. Parameter-Sets
- Alarm
- Taste Up/ Manueller Modus.
- Taste Exit / Stand-by.

INSTALLATION

- Der BIT25 misst 86x82x44mm (LxHxT).
- Die Elektroanschlüsse ausführen (siehe hierzu die "Schaltpläne"). Zur Vermeidung von elektromagnetischen Störungen die Fühler und Signalkabel getrennt von den Starkstromleitern anbringen.
- Den Fühler T1 so in der Zelle positionieren, dass die Konservierungstemperatur des Produktes gut gemessen werden kann.
- Falls vorhanden, den Fühler T2 auf dem Verdampfer an der Stelle des maximalen Reifeansatzes befestigen.
- Falls der Fühler T3 dem Digitaleingang DI2 angeschlossen ist, wird seine Funktion durch den Parameter T3M bestimmt. Mit T3M=DSP misst der Fühler die anzuzeigende Temperatur. Mit T3M=CND misst der Fühler die Verflüssigertemperatur und muss somit zwischen den Rippen des Verflüssigungssatzes positioniert werden.

BETRIEB

DISPLAYANZEIGEN

Im Normalbetrieb zeigt das Display die Messtemperatur oder einen folgender Werte an:

<i>dEF</i> Abtaugung wird ausgeführt	<i>h1</i> Übertemperaturalarm in der Zelle
<i>oFF</i> Regler im Stand-by-Modus	<i>Lo</i> Untertemperaturalarm in der Zelle
<i>cL</i> Anforderung der Verflüssigerreinigung	<i>E1</i> Defekt in Fühler T1
<i>dO</i> Alarm für Tür offen	<i>E2</i> Defekt in Fühler T2
<i>hc</i> Übertemperaturalarm auf Verflüssiger	<i>E3</i> Defekt in Fühler T3
<i>ALr</i> Alarm	

INFO-MENÜ

Die im Info-Menü abrufbaren Daten sind:

<i>t1</i> Ist-Temperatur des Fühlers 1	<i>tLo</i> Min. Messtemperatur des Fühlers 1
<i>t2*</i> Ist-Temperatur des Fühlers 2	<i>cnd**</i> Verdichterbetriebszeit in Wochen
<i>t3*</i> Ist-Temperatur des Fühlers 3	<i>Loc</i> Tastenzustand (Sperr)
<i>th1</i> Max. Messtemperatur des Fühlers 1	

*: Anzeige nur wenn T2 und / oder T3 in der Parameterebene aktiviert ist. **: Anzeige nur wenn ACC > 0 ist.

Zugriff auf das Menü und Datenanzeige.

- Die Taste drücken und loslassen.
- Mit den Tasten oder die anzuzeigenden Daten wählen.
- Mit der Taste den Wert anzeigen.
- Zum Verlassen des Menüs die Taste drücken oder 10 Sekunden warten.

Reset der gespeicherten Werte THI, TLO, CND

- Mit den Tasten oder den zu resettierenden Wert wählen.
- Mit der Taste den Wert anzeigen.
- Die Taste gedrückt halten und gleichzeitig die Taste drücken.

Zugriff auf das Menü und Datenanzeige

- Die Taste mindestens für eine halbe Sekunde drücken, um den Sollwert anzuzeigen.
- Die Taste gedrückt halten und mit den Tasten oder den gewünschten Wert einstellen (die Regelung kann innerhalb des Mindestwertes SPL und Höchstwertes SPH erfolgen).
- Beim Loslassen der Taste wird der neue Wert gespeichert.

STAND-BY

Die Taste lässt, falls für 3 Sekunden gedrückt, den Regler auf verschiedene Betriebsmodi oder Stand-by umschalten (nur bei SB=YES).

TASTENSPERRE

Die Sperre der Tasten verhindert unerwünschte und potenziell schädliche Handlungen, sollte der Regler beispielsweise in einer öffentlich zugänglichen Umgebung positioniert sein. Zur Sperre aller Tastenbefehle den Parameter im INFO-Menü auf LOC=YES einstellen; zur Wiederherstellung aller Funktionen den Parameter auf LOC=NO setzen.

WAHL DES ZWEITEN PARAMETER-SETS

Die Regelparameter können anhand von zwei vorprogrammierten Sets in wenigen Augenblicken an verschiedene Bedingungen adaptiert werden. Der Übergang von Set I zu Set II (und umgekehrt) kann MANUELL erfolgen, indem bei der Einstellung IISM=MAN die Taste für 2 Sekunden gedrückt wird, oder AUTOMATISCH beim Schließen des HILFSEINGANGES DI2 (IISM=DI2). Bei IISM=NON ist der Übergang zu Set II gesperrt. Die Aktivierung des Parametersets II wird durch Leuchten der zugehörigen LED auf dem Bedienteil gemeldet.

SOLLWERTEINSTELLUNG DURCH POTENTIOMETER

Mit DI2=PSP wird der Sollwert durch einen am Eingang DI2 angeschlossenen 10KΩ-Linearpotentiometer eingestellt. Der proportionale Einstellbereich des Sollwertes liegt zwischen PSL (10KΩ) und PSL+PSR (0 Ω). Mit POF=YES, falls der Potentiometer zum minimum Wert gedreht wird (0 Ω), wird der Regler auf Stillstand gesetzt. Falls der zweite Parameterset aktiviert ist, wird der Sollwert IISP sein.

ABTAUUNG

Automatische Abtaugung: Die Abtaugung startet automatisch zu fest mit dem Parameter DFT einprogrammierten Zeitintervallen.

- Intervallabtaugung:** Bei DFM=TIM startet die Abtaugung wenn der integrierte Timer die eingestellte Intervall DFT erreicht. Beispiel: mit DFM=TIM und DFT=06, wird alle 6 Stunden eine Abtaugung eingeleitet.
- Optimierte Abtaugung:** Bei DFM=FRO läuft der Timer nur bei Reifeansatz auf dem Verdampfer weiter, bis der Parameter DFT ausgeglichen ist. Arbeitet der Verdampfer bei einer Temperatur von 0°C, hängt die Abtaufrequenz von der Wärmelast und den klimatischen Bedingungen ab. Bei Sollwerten weit unter 0°C hängt die Abtaufrequenz vorwiegend von den Betriebszeiten des Kühlgerätes ab.

- Speicherung der Zählung:** Beim Einschalten des Gerätes setzt der Abtautimer im Fall von DFB=YES die Zählung der vor dem Ausschalten angesammelten Zeit fort, ansonsten startet er bei Null (DFB=NO). Im Stand-by-Modus ist die Zählung gesperrt.

Manuelle oder Remote-Abtaugung: Manuell, durch Drücken der Taste für 2 Sekunden oder bei DI2=RDS (DI1=RDS), durch Schließen des Hilfskontaktes DI1(DI2), kann eine Remote-Abtaugung aktiviert werden.

Abtautyp: Nach dem Start der Abtaugung werden die Verdichter- und Abtaugausgänge gemäß Parameter DTY angesteuert. Bei FID=YES sind die Verdampferlüfter während der Abtaugung aktiviert.

Abtauende: Die effektive Abtauendauer wird von einigen Parametern beeinflusst.

- Zeitgesteuerte Abtaugung:** T2=NO. Die Verdampfertemperatur wird nicht überwacht; die Abtaugung hat immer eine Dauer gleich der Zeit DTO.
- Zeitbegrenzung:** T2=YES. Erreicht der Fühler T2 die Temperatur DLI innerhalb der Zeit DTO, wird die Abtaugung vorzeitig gestoppt.

Wiederaufnahme des Wärmeregelungszyklus: Nach einer Abtaugung bleiben die Ausgänge, falls DRN über Null liegt, für DRN Minuten ausgeschaltet, damit das Eis schmelzen und das Wasser abfließen kann. Bei aktivem Fühler T2 (T2=YES) starten die Lüfter erneut, sobald die Verdampfertemperatur unter dem Wert FDD liegt.

Achtung: Bei DFM=NON sind alle Abtaufunktionen gesperrt; bei DFT=0, ist die automatische Abtaugung ausgeschlossen. Während eines Hochdruckalarms oder eines DI1(DI2)-Alarms, wird die Abtaugung unterdrückt. Während einer Abtaugung ist der Übertemperaturalarm gesperrt.

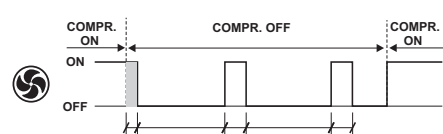
KONFIGURATIONSPARAMETER

- Für den Zugriff auf das Konfigurationsmenü die Tasten + für 5 Sekunden drücken.
- Mit den Tasten oder den zu ändernden Parameter wählen.
- Mit der Taste den Wert anzeigen.
- Die Taste gedrückt halten und mit den Tasten oder den gewünschten Wert einstellen.
- Beim Loslassen der Taste wird der neue Wert gespeichert und der nächste Parameter angezeigt.
- Zum Verlassen des Menüs die Taste drücken oder 30 Sekunden warten.

PAR	BEREICH	BESCHREIBUNG
SPL	-50..SPH	Mindestgrenzwert für die Regelung von SP.
SPH	SPL...110°C	Höchstgrenzwert für die Regelung von SP.
SP	SPL... SPH	Schalttemperatur (Wert, der in der Zelle beibehalten werden soll).
HYS	1.0...10.0°C	OFF/ON-Schalthysterese des Thermostaten.
CRT	0...30 Min	Verdichterstopzeit. Eine Neuaktivierung des Ausganges kann nur nach Verstreichen von CRT Minuten nach dem vorherigen Ausschalten erfolgen. Empfohlene Werte: CRT=03 bei HYS<2.0°.
CT1	0...30 Min	Aktivierungszeit des Wärmeregelungsausganges während einer Funktionsstörung des Fühlers T1. Bei CT1=0 ist der Ausgang immer OFF.
CT2	0...30 Min	Stopzeit des Wärmeregelungsausganges während einer Funktionsstörung des Fühlers T1. Bei CT2=0 und CT1=0 ist der Ausgang immer ON. <i>Beispiel:</i> CT1=4, CT2= 6: Im Fall eines Defektes des Fühlers T1 arbeitet der Verdichter mit 4-minütigen ON-Zyklen und 6-minütigen OFF-Zyklen.
CSD	0..30 Min	Verzögerung des Verdichterstopps nach Türöffnung (aktiv nur bei DI1=DOR oder DI2=DOR).
DFM	NON; TIM; FRO	Startmodus eines Abtauzyklus. NON : Die Abtaufunktion wird deaktiviert (<i>der nächste Parameter ist FCM</i>). TIM : Der Timer für die Abtaukтивierung läuft kontinuierlich weiter. FRO : Der Timer läuft nur bei einem Reifeansatz auf dem Verdampfer weiter (optimierter Timerbetrieb).

DFM = TIM / FRO	DFM = TIM / FRO	DFM = TIM / FRO
DFT	0...99 St.	Timerwert, nach dessen Erreichen ein Abtauzyklus gestartet wird.
DFB	NO/YES	Speicherung der vom Abtautimer gezählten Zeit. Bei DFB=YES startet der Timer nach einem Spannungsausfall (Black-out) wieder beim Wert, der beim Ausschalten erreicht war, ± 30 Min. Bei DFB=NO startet der Timer nach einem Spannungsausfall bei Null.
DLI	-50...110 °C	Abtaudentemperatur.
DTO	1...120 Min	Maximale Abtauendauer.
DTY	OFF; ELE; GAS	Abtautyp. OFF : Abtaugung bei Stopp (Verdichter und Abtauheizung OFF). ELE : Elektrische Abtaugung (Verdichter OFF und Abtauheizung ON). GAS : Heißgasabtaugung (Verdichter und Abtauheizung ON).
DPD	0...240 Sek	Verdampfer-Pump-Down. Beim Abtaustart bleiben die durch den Parameter DTY definierten Abtaugausgänge für DPD-Sekunden ausgeschaltet.
DRN	0...30 Min	Pause nach Abtaugung (Abtropfphase des Verdampfers).
DDM	RT; LT; SP; DEF	Displayanzeige während Abtaugung: RT : Ist-Temperatur; LT : Letzte Temperatur vor der Abtaugung; SP : Aktueller Sollwert; DEF : "dEF".
DDY	0...60 Min	Verzögerung in der Anzeige, Während der Abtaugung und für DDY-Minuten nach der Beendigung dieser Phase, zeigt die Displayanzeige die durch den Parameter DDM einprogrammierte Angabe an.
FID	NO/YES	Lüfteraktivierung während der Abtaugung.
FDD	-50...110°C	Temperatur für den Neustart der Verdampferlüfter nach einer Abtaugung (gemessen durch den Fühler T2).
FTO	0...120 Min	Dauer des maximalen Verdampferlüfterstopps nach einer Abtaugung.

FCM	NON; TMP; TIM	Steuerung der Verdampferlüfter während der Wärmeregelung. NON : Die Verdampferlüfter bleiben immer eingeschaltet; TMP : Wärmeregelung. Die Verdampferlüfter sind zusammen mit dem Verdichter im Betrieb. Nach der Abschaltung des Verdichters, bleiben die Lüfter eingeschaltet, solange die Temperatur-Differenz T2-T1 grösser als FDT ist. Die Lüfter schalten wieder mit dem Differential FDH ein. (T2 = Verdampfertemperatur, T1 = Lufttemperatur); TIM : Zeitliche Steuerung. Die Verdampferlüfter sind eingeschaltet, wenn der Verdichter läuft. Nach der Abschaltung des Verdichters, schalten die Lüfter ein und aus gemäß den Parametern FT1, FT2, FT3.
-----	---------------------	---



FDT	-12.0...0.0°C	Differenz Verdampfer - Luft zur Abschaltung der Lüfter nach der Abschaltung des Verdichters.
FDH	1.0 ...12.0°C	Temperaturdifferential zur Wiedereinschaltung der Verdampferlüfter. <i>Beispiel:</i> FDT = -1, FDH=3. In diesem Beispiel, nach der Abschaltung des Verdichters, werden die Lüfter bei T2 > T1 -1.0 (FDT) ausgeschaltet. Wenn T2 < T1 - 4.0 (FDT-FDH) werden die Lüfter wieder eingeschaltet.
FT1	0...180 Sek	Ausschaltverzögerung der Lüfter nach Verdichterstopp.
FT2	0...30 Min	Lüfterstopp mit Timer. Bei FT2=0 bleiben die Lüfter immer eingeschaltet.
FT3	0...30 Min	Lüfterbetrieb mit Timer. Bei FT3=0 und FT2 > 0 bleiben die Lüfter immer eingeschaltet

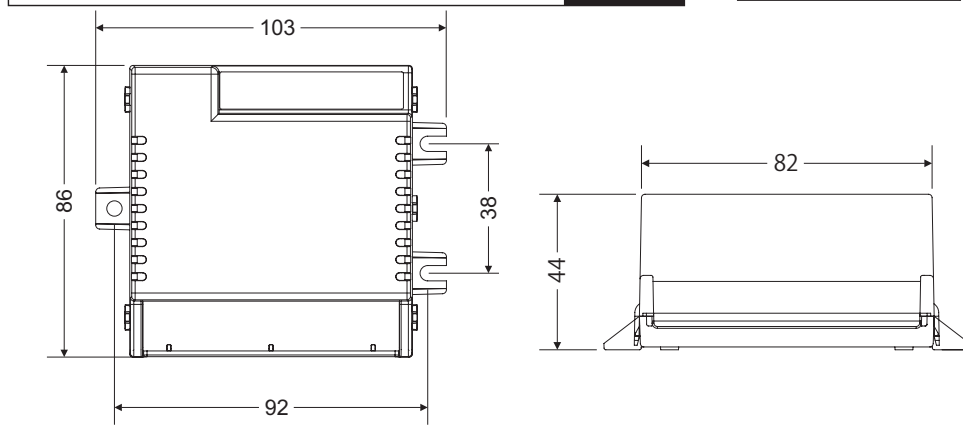
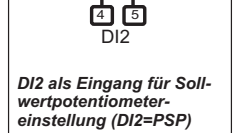
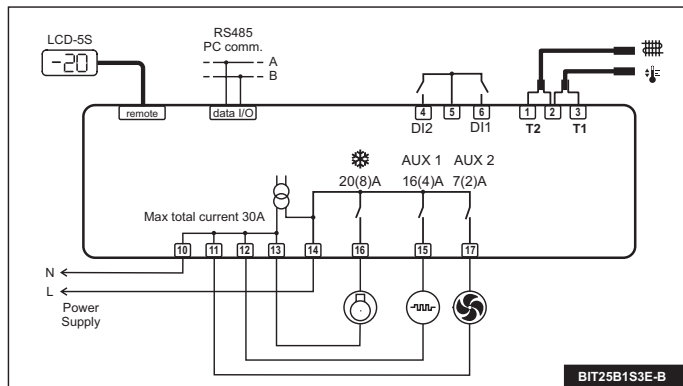
ATM	NON; ABS; REL	Alarmschwellen. NON : Alle Temperaturalarne sind gesperrt (der nächste Parameter ist ADO). ABS : Die in ALA und AHA programmierten Werte stellen die effektiven Alarmschwellen dar. REL : Die in ALR und AHR programmierten Werte sind die Alarmdifferenziale für SP und SP+HYS.
-----	---------------------	--

ALA	-50 ... 110°C	Alarmschwelle für Untertemperatur.
AHA	-50 ... 110°C	Alarmschwelle für Übertemperatur.
ALR	-12.0...0.0°C	Alarmdifferential für Untertemperatur. Bei ALR=0 wird der Untertemperaturalarm ausgeschlossen.
AHR	0.0 ...12.0°C	Alarmdifferential für Übertemperatur. Bei AHR=0 wird der Übertemperaturalarm ausgeschlossen
ATI	T1; T2; T3	Wahl des Bezugsfühlers für Temperaturalarne.
ATD	0 ... 120 Min	Verzögerung der Temperaturalarmmeldung.
ADO	0 ... 30 Min	Verzögerung der Alarmmeldung für Tür offen.

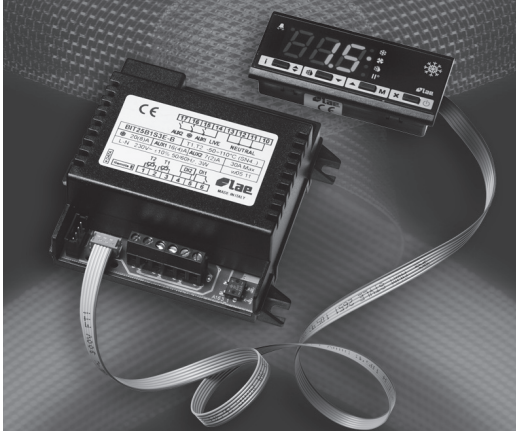
AHM	NON; ALR; STP;	Betriebsmodus bei Verflüssigeralarm. NON : Sperre des Verflüssigeralarms (<i>der nächste Parameter ist ACC</i>). ALR : Im Alarmfall blinken auf dem Display die Zeichen "HC" und wird der Summer aktiviert. STP : Die Alarmanzeigen werden ausgelöst und der Verdichter und die Abtaugungen gestoppt.
AHT	-50...110°C	Verflüssigungstemperaturalarm (er wird vom Fühler T3 gemessen). (aktiv nur falls AHM=ALR oder AHM=STP)
ACC	0 ... 52 Wochen	Periodische Verflüssigerreinigung. Sobald die Verdichterbetriebszeit (in Wochen) den Wert ACC erreicht, blinken auf dem Display die Zeichen "CL". Bei ACC=0 wird die Verflüssigerreinigungsmeldung ausgeschlossen.

IISM	NON; MAN; DI2	Übergang zum 2. Parameter-Set. NON : Sperre des 2. Parameter-Sets (<i>der nächste Parameter ist SB</i>). MAN : Aktivierung der Taste für die Umschaltung der beiden Parameter-Sets. DI2 : Übergang zum 2. Parameter-Set beim Schließen des Hilfseinganges DI2.
IISL	-50... IISH	Mindestgrenzwert für die Regelung von IISP.
IISH	IISL... 110°C	Höchstgrenzwert für die Regelung IISP.
IISP	IISL... IISH	Sollwert in Modus 2.
IHY	1.0... 10.0°C	OFF/ON-Schalthysterese in Modus 2.
IIFC	NON; TMP; TIM	Steuerung der Verdampferlüfter in Modus 2. Siehe FCM.
IIDF	0...99 St.	Timerwert, nach dessen Erreichen ein Abtauzyklus im Modus 2 gestartet wird.
SB	NO/YES	Aktivierung der Stand-by-Taste .
DI1	NON; DOR; ALR; RDS	Funktionen des digitalen Einganges DI1 NON : Digitaler Eingang 1 nicht aktiv. DOR : Türeingang. ALR : Bei der Öffnung des Kontaktes erfolgt ein Alarm (falls AHM=STP, wird der Verdichter gestoppt und die Abtaugung unterdrückt). RDS : Beim Schließen des Kontaktes wird eine Abtaugung eingeleitet (Fernstart).
DI2	NON; DOR; ALR; RDS; IISM; T3; PSP	Funktionen des digitalen Einganges DI2 NON : Digitaler Eingang 2 nicht aktiv. DOR : Türeingang. ALR : Bei der Öffnung des Kontaktes erfolgt ein Alarm (falls AHM=STP, wird der Verdichter gestoppt und die Abtaugung unterdrückt). RDS : Beim Schließen des Kontaktes wird eine Abtaugung eingeleitet (Fernstart). IISM : Beim Schließen des Kontaktes wird der zweite Parameterset aktiviert. T3 : Funktioniert als Fühler T3-Eingang. PSP : Sollwertpotentiometereingang.
T3M	DSP; CND.	Funktionen des Hilfsfühlers T3. DSP : Displayanzeige des Temperaturmesswertes T3. CND : Messung der Verflüssigertemperatur.
OS3	-12.5..12.5°C	Messwertkorrektur des Fühlers T3.
PSL	-50...70°C	Minimaler Sollwert, eingestellt durch den Potentiometer.
PSR	0.0...15.0 °C	Sollwertbereich durch Potentiometer. Beispiel: mit PSL=2.0 und PSR=8.0 wird der Sollwert innerhalb von 2.0°C und 10.0°C (PSL+PSR) eingestellt.
POF	NO/YES	Aktivierung Stillstand durch Potentiometer. Mit POF=YES, falls der Potentiometer zum minimum Wert gedreht wird, erfolgt der Stillstand des Reglers.
LSM	NON; MAN; D1O; D2O; D2C.	Lichtsteuerung NON : Keine Lichtsteuerung. MAN : Lichtausgangssteuerung mittels Taste D1O : Bei der Öffnung des DI1, erfolgt die Einschaltung des Lichterausganges. D2O : Bei der Öffnung des DI2, erfolgt die Einschaltung des Lichterausganges. D2C : Beim Schließen des DI2, erfolgt die Einschaltung des Lichterausganges.
OA1	NON; FAN; DEF; LGT; 0-1; ALO; ALC	Funktionen des Hilfsausganges AUX 1 NON : Ausgang deaktiviert (immer ausgeschaltet) FAN : Ausgang für Lüftersteuerung aktiviert. DEF : Ausgang für Abtauerung aktiviert. LGT : Ausgang für Lichtsteuerung aktiviert. 0-1 : Die Relaiskontakte folgen dem ON-/Stand-by-Zustand des Reglers. ALO : Öffnung der Kontakte im Alarmfall. ALC : Schließung der Kontakte im Alarmfall.
OA2	Siehe OA1	Funktionen des Hilfsausganges AUX 2. Siehe OA1
OS1	-12.5..12.5°C	Messwertkorrektur des Fühlers T1.
T2	NO/YES	Aktivierung des Fühlers T2 (Verdampfer).
OS2	-12.5..12.5°C	Messwertkorrektur des Fühlers T2.
TLD	1...30 Min	Verzögerung der Mindesttemperatur- (TLO) und Höchsttemperaturspeicherung (THI).
SCL	1°C; 2°C; °F	Anzeigeskala. 1°C: Messbereich -50... 110°C (0,1°C-Auflösung im Bereich -9,9... 19,9°C, 1°C-Auflösung im restlichen Bereich). 2°C: Messbereich -50... 110°C °F: Messbereich -58... 180°F.
SIM	0...100	Displayverlangsamung.
ADR	1...255	Adresse von BIT-25 für Kommunikation mit einem PC.

WIRING DIAGRAMS



BIT-25



INSTRUCTIONS FOR USE BEDIENUNGSANLEITUNG



VIA PADOVA, 25
31046 ODERZO /TV /ITALY
TEL. +39 - 0422 815320
FAX +39 - 0422 814073
www.lae-electronic.com
E-mail: sales@lae-electronic.com

TECHNISCHE DATEN

Spannungsversorgung	
BIT25...E	230Vac±10%, 50/60Hz, 3W
BIT25...U	115Vac±10%, 50/60Hz, 3W
BIT25...W	115...230Vac±10%, 50/60Hz, 3W

Relay output max loads

Verdichter	20(8)A 240Vac
Hilfsausgänge 1	16(4)A 240Vac
Hilfsausgänge 2	7(2)A 240Vac

Eingänge

NTC 10KΩ@25°C LAE-Code No. SN4...

Messbereich

-50 / -9.9 ... 19.9 / 110°C
-50...110°C, -58...180°F

Messgenauigkeit

<0.5°C im Messbereich

Betriebsbedingungen

-10 ... +50°C; 15%...80% r.F.

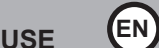
CE (Zertifizierungen und Bezugsnormen)

EN60730-1; EN60730-2-9; EN55022 (Klasse B); EN50082-1

BIT-25

INSTRUCTIONS FOR USE

BEDIENUNGSANLEITUNG



0L0009R01-01