



SOĞUTMA EKİPMANLARI REFRIGERATION EQUIPMENTS

REFRIGERATION COMPONENTS SOĞUTMA KOMPONENTLERİ





PRESSURE LINE

VERTICAL LIQUID RECEIVERS (DEEP DRAWN)
VERTICAL LIQUID RECEIVERS
VERTICAL LIQUID RECEIVERS WITH SIGHT GLASSES
CENTRAL SYSTEM VERTICAL LIQUID RECEIVERS
UNIVERSAL LIQUID RECEIVERS WITH SIGHT GLASSES
HORIZONTAL LIQUID RECEIVERS
HORIZONTAL LIQUID RECEIVERS WITH SIGHT GLASSES
HORIZONTAL LIQUID RECEIVERS WITH BASEPLATE FOR COMPRESSORS
COMPACT LIQUID RECEIVERS & HEAT EXCHANGERS
FILTER DRIER SHELLS
DRIER FILTERS
MECHANICAL PRESSURE FILTERS
MUFFLERS

SUCTION LINE

SUCTION ACCUMULATORS
SUCTION ACCUMULATORS & HEAT EXCHANGERS
SUCTION FILTERS

OIL LINE

OIL SEPARATORS
OIL SEPARATORS & OIL RECEIVER WITH COALESENT FILTER
OIL SEPARATORS WITH OIL RECEIVER
OIL RECEIVERS
OIL FILTERS
OIL CHECK VALVES
MECHANICAL OIL REGULATORS
MECHANICAL OIL REGULATOR ADAPTERS

ACCESSORIES

OPTO-ELECTRONIC LEVEL CONTROLLER
LEVEL CONTROLLER ADAPTERS
ROVALOCK VALVES
ADAPTERS

SPECIALS

SUCTION COLLECTORS

BASINÇ HATTI

» DİK LİKİT DEPO (SIVAMA)	6
» DİK LİKİT DEPO	12
» GÖZETLEMELİ DİK LİKİT DEPO	14
» MERKEZİ SİSTEM DİK LİKİT DEPO	16
» ÜNİVERSAL (DİK & YATIK) DİK LİKİT DEPO	18
» YATIK LİKİT DEPO	20
» GÖZETLEMELİ YATIK LİKİT DEPO	22
» ŞASELİ YATIK LİKİT DEPO	24
» KOMPAKT LİKİT DEPO	26
» FİLTRE KARTUŞ KOVANI	28
» DRAYER FİLTRE	30
» BASINÇ HATTI FİLTRESİ	34
» SUSTURUCU	36

EMİŞ HATTI

» LİKİT TUTUCU	38
» LİKİT AKÜMÜLATÖRÜ	41
» EMİŞ HATTI FİLTRESİ	42

YAĞ HATTI

» YAĞ AYIRICI	44
» KOALESENT FİLTRELİ YAĞ AYIRICILI YAĞ DEPOSU	48
» YAĞ AYIRICILI YAĞ DEPOSU	50
» YAĞ DEPOSU	52
» YAĞ FİLTRESİ	54
» YAĞ DEPOSU ÇEK VALFİ	56
» MEKANİK YAĞ REGÜLATÖRÜ	58
» MEKANİK YAĞ REGÜLATÖRÜ ADAPTÖRÜ	60

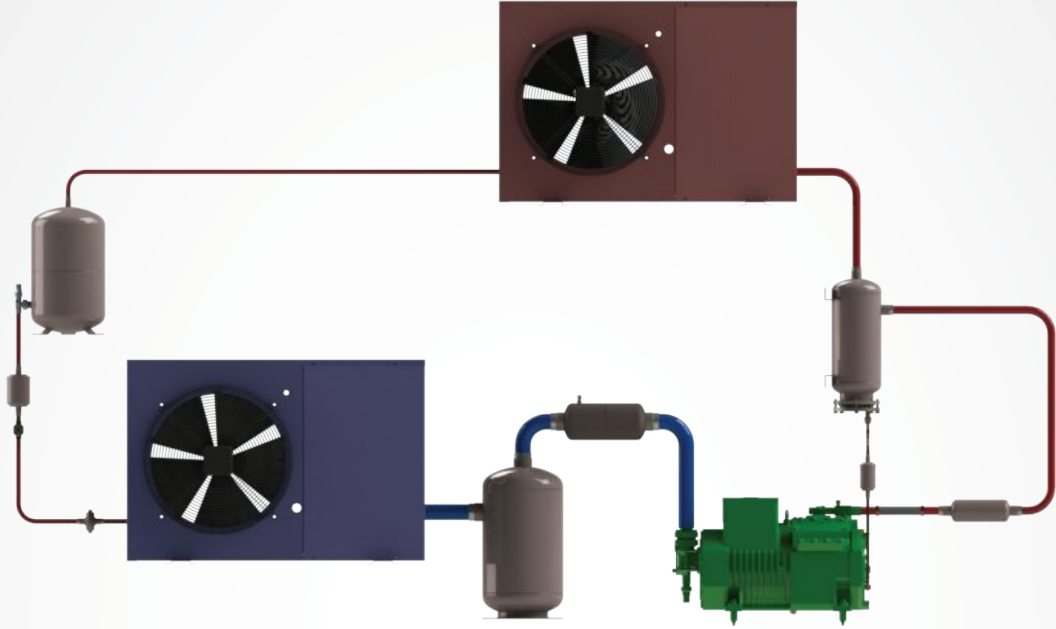
AKSESUARLAR

» OPTO-ELEKTRONİK SEVİYE KONTROL	62
» SEVİYE KONTROL CİHAZI ADAPTÖRÜ	64
» ROTALOG VANA	66
» ADAPTÖR	68

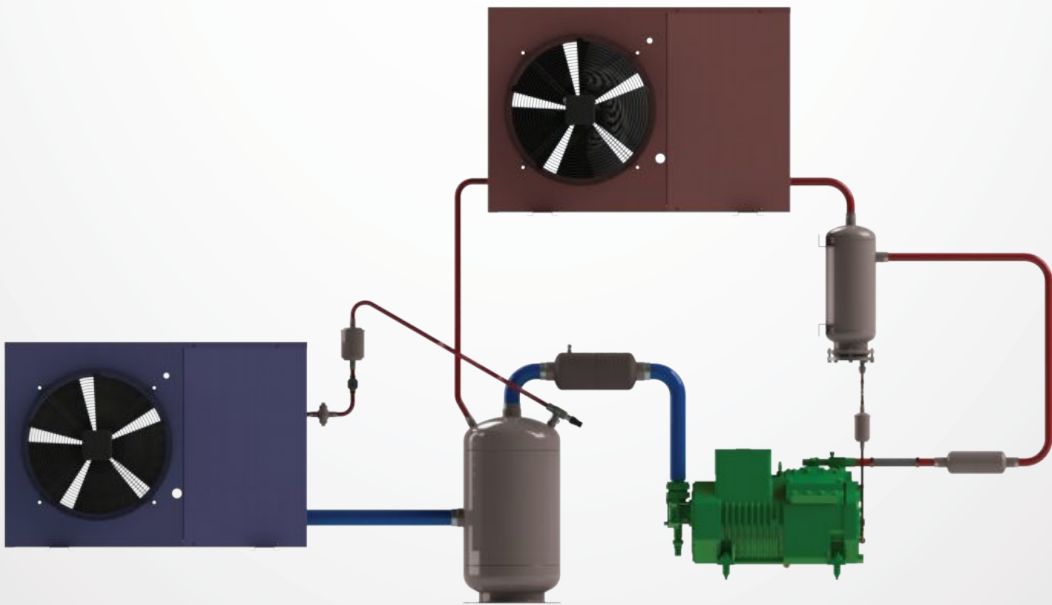
ÖZEL ÜRÜNLER

» EMİŞ HATTI KOLLEKTÖRÜ	71
-------------------------	----

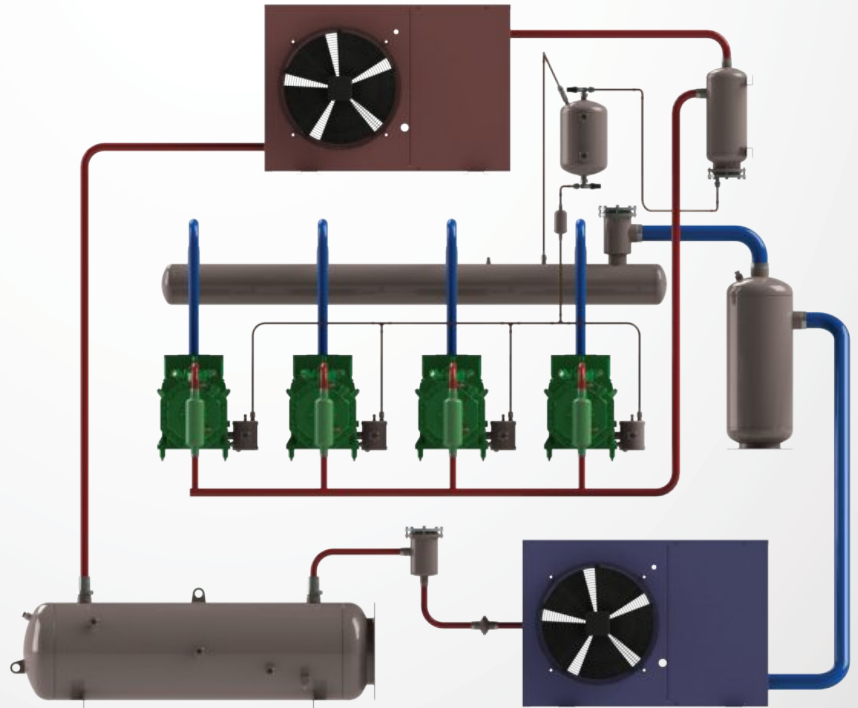
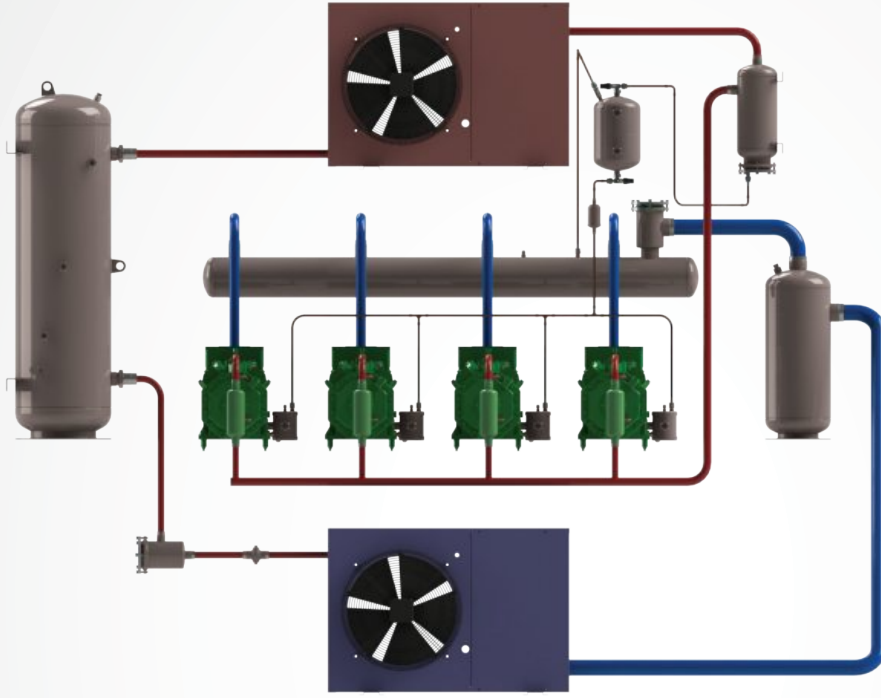
SINGLE COMPRESSOR SYSTEM
TEKLİ KOMPRESÖR SİSTEMİ



SINGLE COMPRESSOR SYSTEM w. COMPACT RECEIVER
KOMPAKT DEPOLU TEKLİ KOMPRESÖR SİSTEMİ



MULTI COMPRESSOR CENTRAL SYSTEM
ÇOKLU KOMPRESÖRLÜ MERKEZİ SİSTEM



VERTICAL LIQUID RECEIVERS - DEEP DRAWN DİK LİKİT DEPOLARI - SIVAMA



Intended Use:

DEEP DRAWN RECEIVERS (ICRDG-S SERIES)
Our deep drawn receivers have capacities from 0,75 lt up to 20 lt. Liquid receiver are used to send liquid phase refrigerant to the expansion valve. Also liquid receivers can stock the refrigerant inside when there is a repair needed in the system. It is not allowed to fill the liquid receivers over 90 % at 40 °C.

Technical Specification:

Working Pressure : 33 Bar

Working Temperature : -10 / 120 °C

Kullanım Alanı:

DİK LİKİT DEPOLARI - SIVAMA (ICRDG-S SERİSİ)
Sivama serisi likit depolarımız 0,75lt ila 20lt kapasiteler arasında imal edilmektedirler. Likit depoları sistemde çevrim halindeki soğutucu akışkanın genişleme valfine likit olarak gitmesini sağlamaktadırlar. Ayrıca sistemde meydana gelebilecek bir arıza durumunda tamir esnasında sistemdeki soğutucu akışkanın muhafaza edilmesini sağlamaktadır. Gaz doluluk oranı 40°C de %90'ın üzerine çıkmaması gerekmektedir.

Teknik Özellikler:

Çalışma Basıncı : 33 Bar

Çalışma Sıcaklığı : -10 / 120 °C

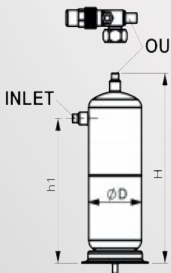
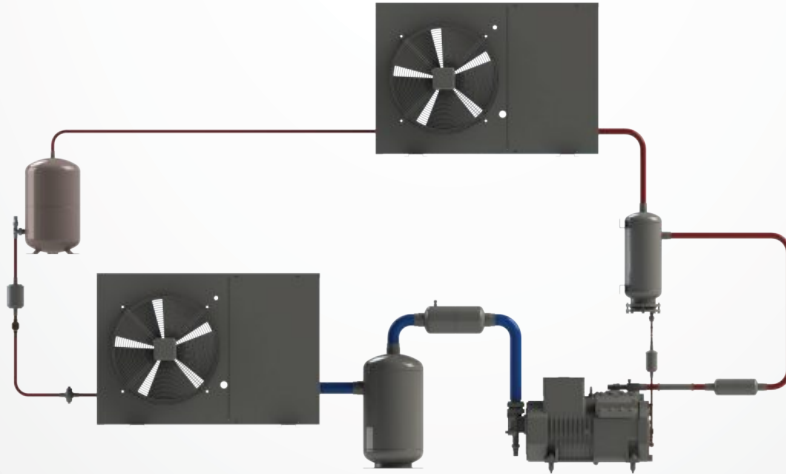


fig.a

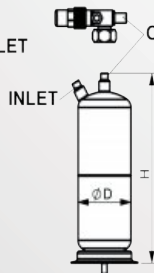


fig.b

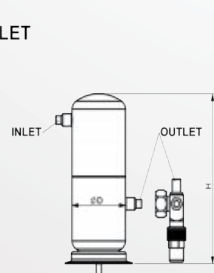


fig.c

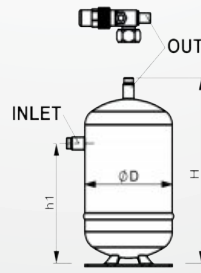


fig.d

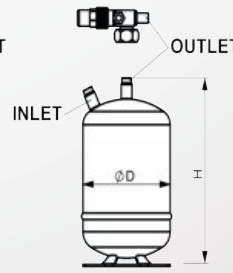


fig.e

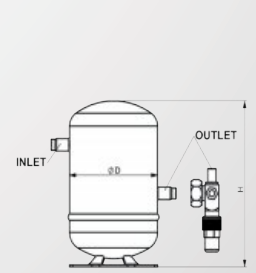
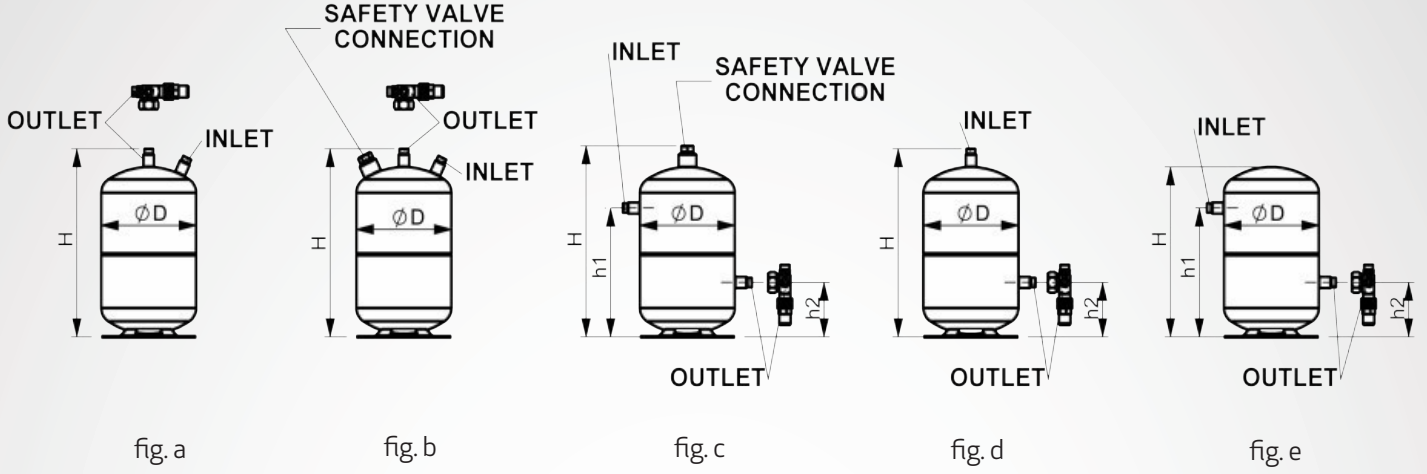
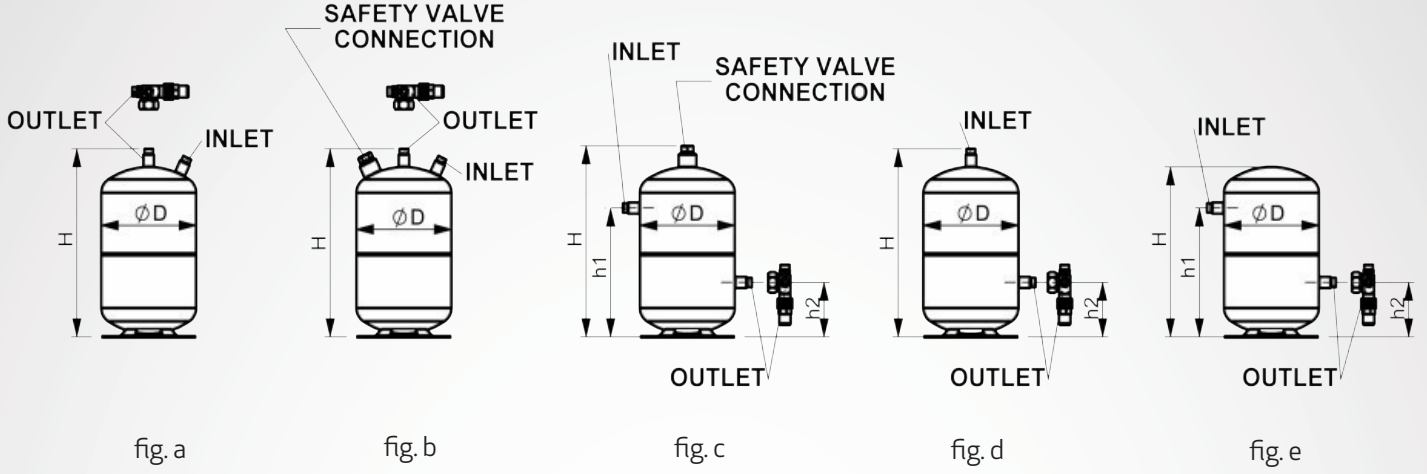


fig.f

TECHNICAL DATA							TEKNİK BİLGİ	
Code Kod	Type Tip	Draw. Şekil	V	ø D	H	h1	Connections Bağlantılar	
							Inlet Giriş	Outlet Çıkış
020AA1001	ICRDG-S 0,75 SOLDER A	figa	0,75	76	235	180	6,4 ODS	6,4 ODS
020AA1002	ICRDG-S 0,75 ODS A				267		6,4 ODS	RV 6,4 ODS
020AA1003	ICRDG-S 0,75 SAE A				267		1/4 SAE	RV 1/4 SAE
020AA1004	ICRDG-S 1 SOLDER A	figa	1	101	185	117	6,4 ODS	6,4 ODS
020AA1005	ICRDG-S 1 ODS A				220		6,4 ODS	RV 6,4 ODS
020AA1006	ICRDG-S 1 SAE A				220		1/4 SAE	RV 1/4 SAE
020AA1007	ICRDG-S 1-10 SOLDER A	figa	1	101	185	117	9,6 ODS	9,6 ODS
020AA1008	ICRDG-S 1-10 ODS A				220		9,6 ODS	RV 9,6 ODS
020AA1009	ICRDG-S 1-3/8 SAE A				220		3/8 SAE	RV 3/8 SAE
020AA1010	ICRDG-S 1,5 SOLDER A	figa	1,5	101	250	181	6,4 ODS	6,4 ODS
020AA1011	ICRDG-S 1,5 ODS A				281		6,4 ODS	RV 6,4 ODS
020AA1012	ICRDG-S 1,5 SAE A				281		1/4 SAE	RV 1/4 SAE
020AA1013	ICRDG-S 1,5-10 SOLDER A	figa	1,5	101	250	181	9,6 ODS	9,6 ODS
020AA1014	ICRDG-S 1,5-10 ODS A				281		9,6 ODS	RV 9,6 ODS
020AA1015	ICRDG-S 1,5-10 SAE A				281		3/8 SAE	RV 3/8 SAE
020AA1016	ICRDG-S 2 SOLDER A	figd	2	125	230	148	9,6 ODS	9,6 ODS
020AA1017	ICRDG-S 2 ODS A				257		9,6 ODS	RV 9,6 ODS
020AA1018	ICRDG-S 2 SAE A				257		3/8 SAE	RV 3/8 SAE
020AA1019	ICRDG-S 0,75 SOLDER B	figb	0,75	76	235	148	6,4 ODS	6,4 ODS
020AA1020	ICRDG-S 0,75 ODS B				267		6,4 ODS	RV 6,4 ODS
020AA1021	ICRDG-S 0,75 SAE B				267		1/4 SAE	RV 1/4 SAE
020AA1022	ICRDG-S 1 SOLDER B	figb	1	101	185	148	6,4 ODS	6,4 ODS
020AA1023	ICRDG-S 1 ODS B				220		6,4 ODS	RV 6,4 ODS
020AA1024	ICRDG-S 1 SAE B				220		1/4 SAE	RV 1/4 SAE
020AA1025	ICRDG-S 1-10 SOLDER B	figb	1	101	185	148	9,6 ODS	9,6 ODS
020AA1026	ICRDG-S 1-10 ODS B				220		9,6 ODS	RV 9,6 ODS
020AA1027	ICRDG-S 1-3/8 SAE B				220		3/8 SAE	RV 3/8 SAE
020AA1028	ICRDG-S 1,5 SOLDER B	figb	1,5	101	250	148	6,4 ODS	6,4 ODS
020AA1029	ICRDG-S 1,5 ODS B				281		6,4 ODS	RV 6,4 ODS
020AA1030	ICRDG-S 1,5 SAE B				281		1/4 SAE	RV 1/4 SAE
020AA1031	ICRDG-S 1,5-10 SOLDER B	figb	1,5	101	250	148	9,6 ODS	9,6 ODS
020AA1032	ICRDG-S 1,5-10 ODS B				281		9,6 ODS	RV 9,6 ODS
020AA1033	ICRDG-S 1,5-10 SAE B				281		3/8 SAE	RV 3/8 SAE
020AA1034	ICRDG-S 2 SOLDER B	fige	2	125	230	148	9,6 ODS	9,6 ODS
020AA1035	ICRDG-S 2 ODS B				257		9,6 ODS	RV 9,6 ODS
020AA1036	ICRDG-S 2 SAE B				257		3/8 SAE	RV 3/8 SAE
020AA1037	ICRDG-S 0,75 SOLDER C	figc	0,75	76	212	148	6,4 ODS	6,4 ODS
020AA1038	ICRDG-S 0,75 ODS C				212		6,4 ODS	RV 6,4 ODS
020AA1039	ICRDG-S 0,75 SAE C				212		1/4 SAE	RV 1/4 SAE
020AA1040	ICRDG-S 1 SOLDER C	figc	1	101	162	148	6,4 ODS	6,4 ODS
020AA1041	ICRDG-S 1 ODS C				162		6,4 ODS	RV 6,4 ODS
020AA1042	ICRDG-S 1 SAE C				162		1/4 SAE	RV 1/4 SAE
020AA1043	ICRDG-S 1-10 SOLDER C	figc	1	101	162	148	9,6 ODS	9,6 ODS
020AA1044	ICRDG-S 1-10 ODS C				162		9,6 ODS	RV 9,6 ODS
020AA1045	ICRDG-S 1-3/8 SAE C				162		3/8 SAE	RV 3/8 SAE
020AA1046	ICRDG-S 1,5 SOLDER C	figc	1,5	101	226	148	6,4 ODS	6,4 ODS
020AA1047	ICRDG-S 1,5 ODS C				226		6,4 ODS	RV 6,4 ODS
020AA1048	ICRDG-S 1,5 SAE C				226		1/4 SAE	RV 1/4 SAE
020AA1049	ICRDG-S 1,5-10 SOLDER C	figc	1,5	101	226	148	9,6 ODS	9,6 ODS
020AA1050	ICRDG-S 1,5-10 ODS C				226		9,6 ODS	RV 9,6 ODS
020AA1051	ICRDG-S 1,5-10 SAE C				226		3/8 SAE	RV 3/8 SAE
020AA1052	ICRDG-S 2 SOLDER C	figf	2	125	203	148	9,6 ODS	9,6 ODS
020AA1053	ICRDG-S 2 ODS C				203		9,6 ODS	RV 9,6 ODS
020AA1054	ICRDG-S 2 SAE C				203		3/8 SAE	RV 3/8 SAE



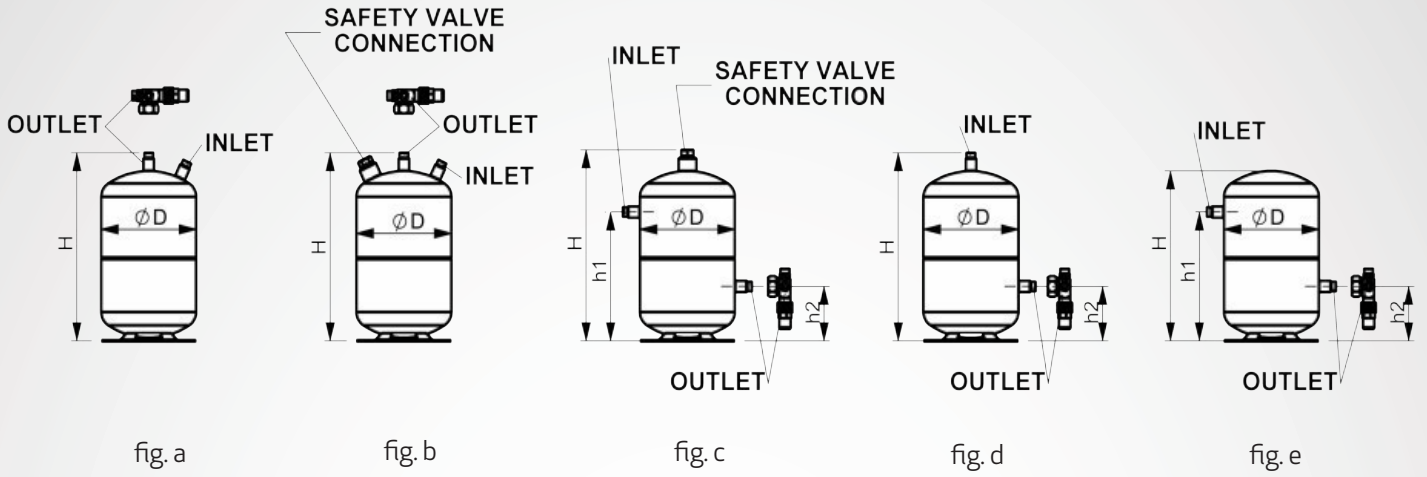
TECHNICAL DATA								TEKNIK BİLGİ						
Code Kod	Type Tip	Draw. Şekil	V	Ø D	H	h1	h2	Connections Bağlantılar						
								Inlet Giriş	Outlet Çıkış	Safety Valve Emniyet Valfi				
020AA1055	ICRDG-S 3 A SOLDER	fig.a	3	125	315	-	-	9,6 ODS	9,6 ODS					
020AA1056	ICRDG-S 3 A ODS				342			9,6 ODS	RV 9,6 ODS					
020AA1057	ICRDG-S 3 A SAE				342			3/8 SAE	RV 3/8 SAE					
020AA1058	ICRDG-S 3 B SOLDER	fig.b			314			9,6 ODS	9,6 ODS	✓				
020AA1059	ICRDG-S 3 B ODS				342			9,6 ODS	RV 9,6 ODS	✓				
020AA1060	ICRDG-S 3 B SAE				342			3/8 SAE	RV 3/8 SAE	✓				
020AA1061	ICRDG-S 3 C SOLDER	fig.c			323			233	95	9,6 ODS	9,6 ODS	✓		
020AA1062	ICRDG-S 3 C ODS				323					9,6 ODS	RV 9,6 ODS	✓		
020AA1063	ICRDG-S 3 C SAE				323					3/8 SAE	RV 3/8 SAE	✓		
020AA1064	ICRDG-S 3 D SOLDER	fig.d			314			-		95	9,6 ODS	9,6 ODS		
020AA1065	ICRDG-S 3 D ODS				314						9,6 ODS	RV 9,6 ODS		
020AA1066	ICRDG-S 3 D SAE				314						3/8 SAE	RV 3/8 SAE		
020AA1067	ICRDG-S 3 E SOLDER	fig.e	288	233	84	9,6 ODS	9,6 ODS							
020AA1068	ICRDG-S 3 E ODS		288			9,6 ODS	RV 9,6 ODS							
020AA1069	ICRDG-S 3 E SAE		288			3/8 SAE	RV 3/8 SAE							
020AA1070	ICRDG-S 4 A SOLDER	fig.a	4	152		293	-	-			9,6 ODS	9,6 ODS		
020AA1071	ICRDG-S 4 A ODS					323					9,6 ODS	RV 9,6 ODS		
020AA1072	ICRDG-S 4 A SAE					323					3/8 SAE	RV 3/8 SAE		
020AA1073	ICRDG-S 4 B SOLDER	fig.b				293			207		84	9,6 ODS	9,6 ODS	✓
020AA1074	ICRDG-S 4 B ODS					323						9,6 ODS	RV 9,6 ODS	✓
020AA1075	ICRDG-S 4 B SAE					323						3/8 SAE	RV 3/8 SAE	✓
020AA1076	ICRDG-S 4 C SOLDER	fig.c				302			207	84		9,6 ODS	9,6 ODS	✓
020AA1077	ICRDG-S 4 C ODS					302						9,6 ODS	RV 9,6 ODS	✓
020AA1078	ICRDG-S 4 C SAE					302						3/8 SAE	RV 3/8 SAE	✓
020AA1079	ICRDG-S 4 D SOLDER	fig.d			293	-			84			9,6 ODS	9,6 ODS	
020AA1080	ICRDG-S 4 D ODS				293							9,6 ODS	RV 9,6 ODS	
020AA1081	ICRDG-S 4 D SAE				342							3/8 SAE	RV 3/8 SAE	
020AA1082	ICRDG-S 4 E SOLDER	fig.e	267	207	84	9,6 ODS	9,6 ODS							
020AA1083	ICRDG-S 4 E ODS		267			9,6 ODS	RV 9,6 ODS							
020AA1084	ICRDG-S 4 E SAE		267			3/8 SAE	RV 3/8 SAE							



TECHNICAL DATA

TEKNİK BİLGİ

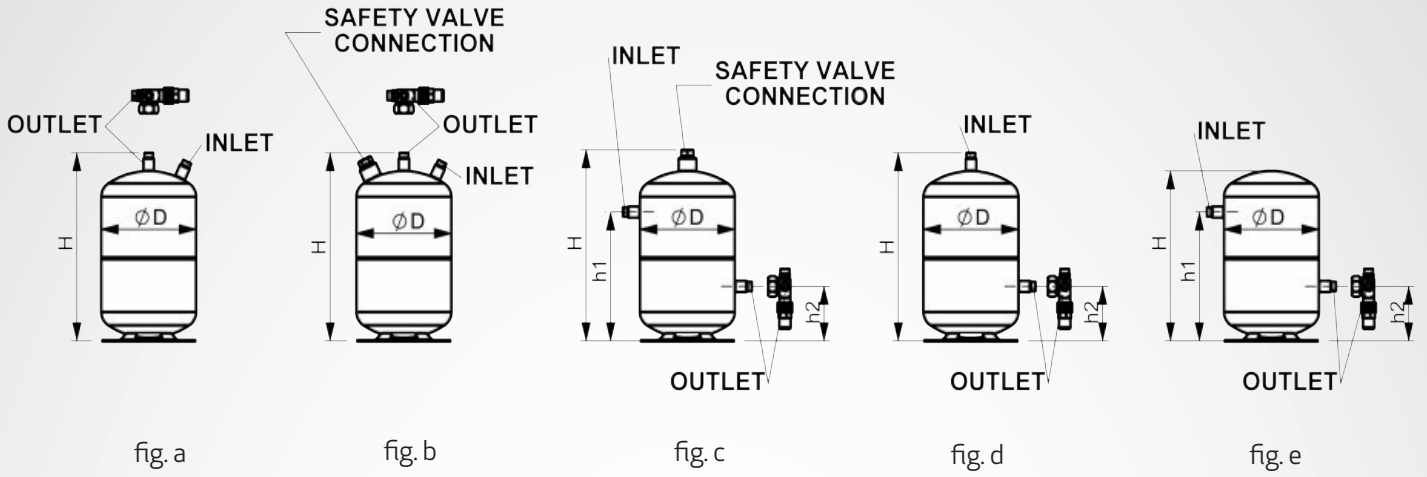
Code Kod	Type Tip	Draw. Şekil	V	Ø D	H	h1	h2	Connections Bağlantılar			
								Inlet Giriş	Outlet Çıkış	Safety Valve Emniyet Valfi	
020AA1085	ICRDG-S 6 A SOLDER	fig.a	6	168	311	-	-	12,8 ODS	12,8 ODS		
020AA1086	ICRDG-S 6 A ODS				337			12,8 ODS	RV 12,8 ODS		
020AA1087	ICRDG-S 6 A SAE				337			1/2 SAE	RV 1/2 SAE		
020AA1088	ICRDG-S 6 B SOLDER	fig.b			311	-	-	12,8 ODS	12,8 ODS	✓	
020AA1089	ICRDG-S 6 B ODS				337			12,8 ODS	RV 12,8 ODS	✓	
020AA1090	ICRDG-S 6 B SAE				337			1/2 SAE	RV 1/2 SAE	✓	
020AA1091	ICRDG-S 6 C SOLDER	fig.c			320	213	-	-	12,8 ODS	12,8 ODS	✓
020AA1092	ICRDG-S 6 C ODS				320				12,8 ODS	RV 12,8 ODS	✓
020AA1093	ICRDG-S 6 C SAE				320				1/2 SAE	RV 1/2 SAE	✓
020AA1094	ICRDG-S 6 D SOLDER	fig.d			311	-	-	90	12,8 ODS	12,8 ODS	
020AA1095	ICRDG-S 6 D ODS				311				12,8 ODS	RV 12,8 ODS	
020AA1096	ICRDG-S 6 D SAE				311				1/2 SAE	RV 1/2 SAE	
020AA1097	ICRDG-S 6 E SOLDER	fig.e			281	213	-	-	12,8 ODS	12,8 ODS	
020AA1098	ICRDG-S 6 E ODS				281				12,8 ODS	RV 12,8 ODS	
020AA1099	ICRDG-S 6 E SAE				281				1/2 SAE	RV 1/2 SAE	
020AA1100	ICRDG-S 8 A SOLDER	fig.a	8	195	344	-	-	12,8 ODS	12,8 ODS		
020AA1101	ICRDG-S 8 A ODS				370			12,8 ODS	RV 12,8 ODS		
020AA1102	ICRDG-S 8 A SAE				370			1/2 SAE	RV 1/2 SAE		
020AA1103	ICRDG-S 8 B SOLDER	fig.b			344	-	-	-	12,8 ODS	12,8 ODS	✓
020AA1104	ICRDG-S 8 B ODS				370				12,8 ODS	RV 12,8 ODS	✓
020AA1105	ICRDG-S 8 B SAE				370				1/2 SAE	RV 1/2 SAE	✓
020AA1106	ICRDG-S 8 C SOLDER	fig.c			350	245	-	-	12,8 ODS	12,8 ODS	✓
020AA1107	ICRDG-S 8 C ODS				350				12,8 ODS	RV 12,8 ODS	✓
020AA1108	ICRDG-S 8 C SAE				350				1/2 SAE	RV 1/2 SAE	✓
020AA1109	ICRDG-S 8 D SOLDER	fig.d			344	-	-	87	12,8 ODS	12,8 ODS	
020AA1110	ICRDG-S 8 D ODS				344				12,8 ODS	RV 12,8 ODS	
020AA1111	ICRDG-S 8 D SAE				340				1/2 SAE	RV 1/2 SAE	
020AA1112	ICRDG-S 8 E SOLDER	fig.e			314	245	-	-	12,8 ODS	12,8 ODS	
020AA1113	ICRDG-S 8 E ODS				314				12,8 ODS	RV 12,8 ODS	
020AA1114	ICRDG-S 8 E SAE				314				1/2 SAE	RV 1/2 SAE	



TECHNICAL DATA

TEKNİK BİLGİ

Code Kod	Type Tip	Draw. Şekil	V	Ø D	H	h1	h2	Connections Bağlantılar								
								Inlet Giriş	Outlet Çıkış	Safety Valve Emniyet Valfi						
020AA1115	ICRDG-S 10 A SOLDER	fig.a	10	219	365	-	-	12,8 ODS	12,8 ODS							
020AA1116	ICRDG-S 10 A ODS				390			12,8 ODS	RV 12,8 ODS							
020AA1117	ICRDG-S 10 A SAE				390			1/2 SAE	RV 1/2 SAE							
020AA1118	ICRDG-S 10 B SOLDER	fig.b			365			12,8 ODS	12,8 ODS	✓						
020AA1119	ICRDG-S 10 B ODS				390			12,8 ODS	RV 12,8 ODS	✓						
020AA1120	ICRDG-S 10 B SAE				390			1/2 SAE	RV 1/2 SAE	✓						
020AA1121	ICRDG-S 10 C SOLDER	fig.c			370			12,8 ODS	12,8 ODS	✓						
020AA1122	ICRDG-S 10 C ODS				370			12,8 ODS	RV 12,8 ODS	✓						
020AA1123	ICRDG-S 10 C SAE				370			1/2 SAE	RV 1/2 SAE	✓						
020AA1124	ICRDG-S 10 D SOLDER	fig.d			365			98	-	-	12,8 ODS	12,8 ODS				
020AA1125	ICRDG-S 10 D ODS				365						12,8 ODS	RV 12,8 ODS				
020AA1126	ICRDG-S 10 D SAE				365						1/2 SAE	RV 1/2 SAE				
020AA1127	ICRDG-S 10 E SOLDER	fig.e			335						320	-	-	12,8 ODS	12,8 ODS	
020AA1128	ICRDG-S 10 E ODS				335									12,8 ODS	RV 12,8 ODS	
020AA1129	ICRDG-S 10 E SAE				335									1/2 SAE	RV 1/2 SAE	
020AA1130	ICRDG-S 12,5 A SOLDER	fig.a	12,5	219	435	-	-							16,1 ODS	16,1 ODS	
020AA1131	ICRDG-S 12,5 A ODS				461									16,1 ODS	RV 16,1 ODS	
020AA1132	ICRDG-S 12,5 A SAE				461									5/8 SAE	RV 5/8 SAE	
020AA1133	ICRDG-S 12,5 B SOLDER	fig.b			435									16,1 ODS	16,1 ODS	✓
020AA1134	ICRDG-S 12,5 B ODS				461									16,1 ODS	RV 16,1 ODS	✓
020AA1135	ICRDG-S 12,5 B SAE				461									5/8 SAE	RV 5/8 SAE	✓
020AA1136	ICRDG-S 12,5 C SOLDER	fig.c			440									16,1 ODS	16,1 ODS	✓
020AA1137	ICRDG-S 12,5 C ODS				440									16,1 ODS	RV 16,1 ODS	✓
020AA1138	ICRDG-S 12,5 C SAE				440									5/8 SAE	RV 5/8 SAE	✓
020AA1139	ICRDG-S 12,5 D SOLDER	fig.d			435			87	-	-				16,1 ODS	16,1 ODS	
020AA1140	ICRDG-S 12,5 D ODS				435									16,1 ODS	RV 16,1 ODS	
020AA1141	ICRDG-S 12,5 D SAE				435									5/8 SAE	RV 5/8 SAE	
020AA1142	ICRDG-S 12,5 E SOLDER	fig.e			320						320	-	-	16,1 ODS	16,1 ODS	
020AA1143	ICRDG-S 12,5 E ODS				320									16,1 ODS	RV 16,1 ODS	
020AA1144	ICRDG-S 12,5 E SAE				320									5/8 SAE	RV 5/8 SAE	



TECHNICAL DATA

TEKNİK BİLGİ

Code Kod	Type Tip	Draw. Şekil	V	Ø D	H	h1	h2	Connections Bağlantılar					
								Inlet Giriş	Outlet Çıkış	Safety Valve Emniyet Valfi			
020AA1145	ICRDG-S 15 A SOLDER	fig.a	15	250	400	-	-	16,1 ODS	16,1 ODS				
020AA1146	ICRDG-S 15 A ODS				425			16,1 ODS	RV 16,1 ODS				
020AA1147	ICRDG-S 15 A SAE				425			5/8 SAE	RV 5/8 SAE				
020AA1148	ICRDG-S 15 B SOLDER	fig.b			400			16,1 ODS	16,1 ODS	✓			
020AA1149	ICRDG-S 15 B ODS				425			16,1 ODS	RV 16,1 ODS	✓			
020AA1150	ICRDG-S 15 B SAE				425			5/8 SAE	RV 5/8 SAE	✓			
020AA1151	ICRDG-S 15 C SOLDER	fig.c			405			273	99	16,1 ODS	16,1 ODS	✓	
020AA1152	ICRDG-S 15 C ODS				405					16,1 ODS	RV 16,1 ODS	✓	
020AA1153	ICRDG-S 15 C SAE				405					5/8 SAE	RV 5/8 SAE	✓	
020AA1154	ICRDG-S 15 D SOLDER	fig.d			425			-		16,1 ODS	16,1 ODS		
020AA1155	ICRDG-S 15 D ODS				425					16,1 ODS	RV 16,1 ODS		
020AA1156	ICRDG-S 15 D SAE				425					5/8 SAE	RV 5/8 SAE		
020AA1157	ICRDG-S 15 E SOLDER	fig.e			370			273		16,1 ODS	16,1 ODS		
020AA1158	ICRDG-S 15 E ODS				370					16,1 ODS	RV 16,1 ODS		
020AA1159	ICRDG-S 15 E SAE				370					5/8 SAE	RV 5/8 SAE		
020AA1160	ICRDG-S 20 A SOLDER	fig.a	20	250	464	-	-	16,1 ODS		16,1 ODS			
020AA1161	ICRDG-S 20 A ODS				476			16,1 ODS		RV 16,1 ODS			
020AA1162	ICRDG-S 20 A SAE				476			5/8 SAE		RV 5/8 SAE			
020AA1163	ICRDG-S 20 B SOLDER	fig.b			464			-		101	16,1 ODS	16,1 ODS	✓
020AA1164	ICRDG-S 20 B ODS				476						16,1 ODS	RV 16,1 ODS	✓
020AA1165	ICRDG-S 20 B SAE				476						5/8 SAE	RV 5/8 SAE	✓
020AA1166	ICRDG-S 20 C SOLDER	fig.c			469			335	16,1 ODS		16,1 ODS	✓	
020AA1167	ICRDG-S 20 C ODS				469				16,1 ODS		RV 16,1 ODS	✓	
020AA1168	ICRDG-S 20 C SAE				469				5/8 SAE		RV 5/8 SAE	✓	
020AA1169	ICRDG-S 20 D SOLDER	fig.d			464			-	16,1 ODS		16,1 ODS		
020AA1170	ICRDG-S 20 D ODS				464				16,1 ODS		RV 16,1 ODS		
020AA1171	ICRDG-S 20 D SAE				464				5/8 SAE		RV 5/8 SAE		
020AA1172	ICRDG-S 20 E SOLDER	fig.e			434			335	16,1 ODS		16,1 ODS		
020AA1173	ICRDG-S 20 E ODS				434				16,1 ODS		RV 16,1 ODS		
020AA1174	ICRDG-S 20 E SAE				434				5/8 SAE		RV 5/8 SAE		

VERTICAL LIQUID RECEIVERS

DİK LİKİT DEPOLARI



Intended Use:

VERTICAL LIQUID RECEIVERS (ICRDG SERIES)

Our vertical receivers capacities are 25lt and 30lt. We can make production of different capacity receivers upon request. Liquid receiver are used to send liquid phase refrigerant to the expansion valve. Also liquid receivers can stock the refrigerant inside when there is a repair needed in the system. It is not allowed to fill the liquid receivers over 90% at 40°C.

Technical Specification:

Working Pressure : 33 Bar

Working Temperature : -10 / 120 °C

Kullanım Alanı:

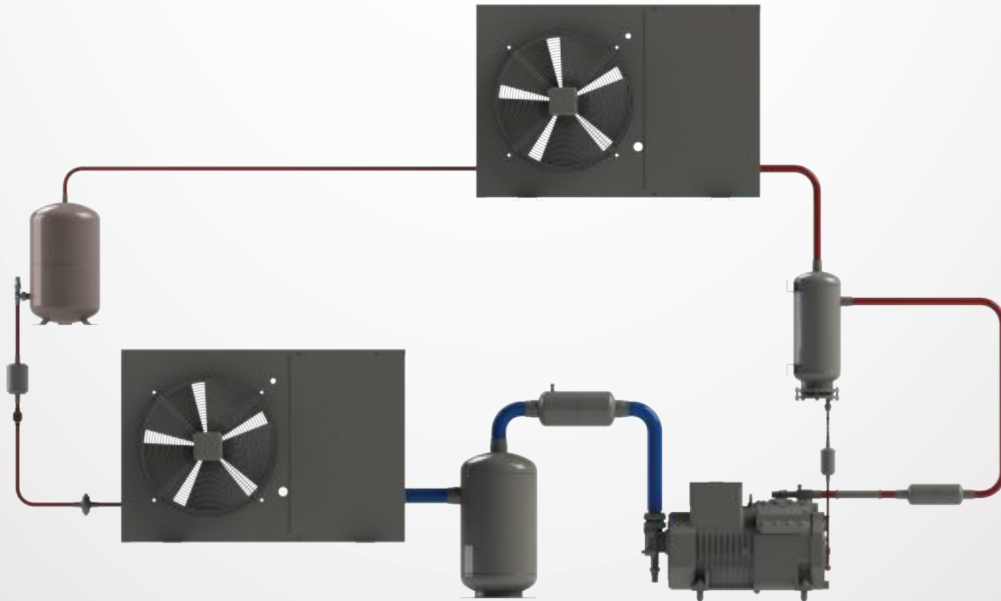
DİK LİKİT DEPO (ICRDG SERİSİ)

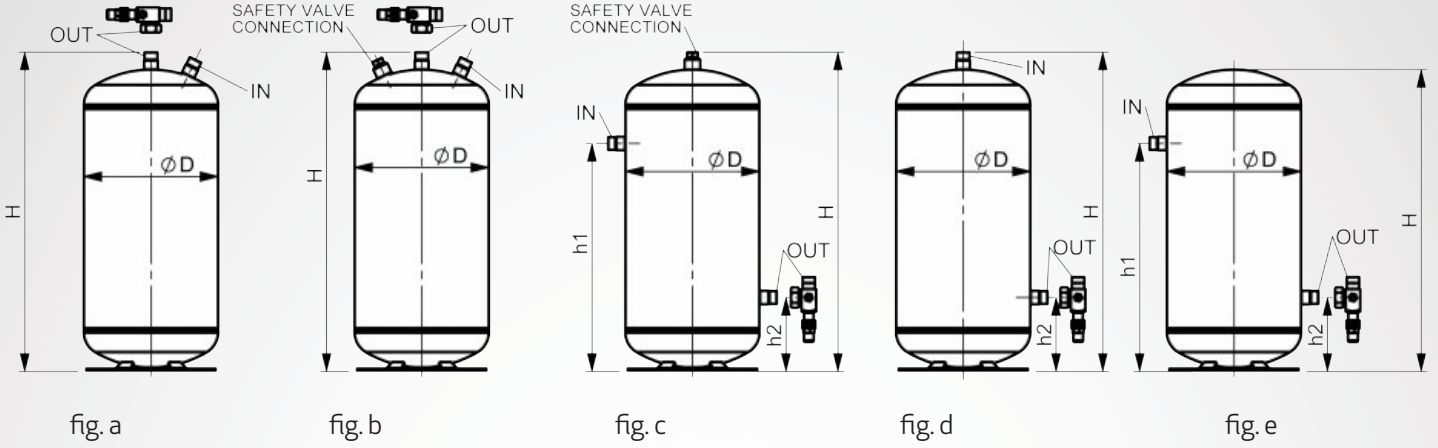
Dik likit depolarımız 25lt ile 30lt kapasitelerde imal edilmektedirler. Özel istek halinde farklı kapasitelerde imalat yapabilmekteyiz. Likit depoları sistemde çevrim halindeki soğutucu akışkanın genişleme valfine likit olarak gitmesini sağlamaktadırlar. Ayrıca sistemde meydana gelebilecek bir arıza durumunda tamir esnasında sistemdeki soğutucu akışkanın muhafaza edilmesini sağlamaktadır.

Teknik Özellikler:

Çalışma Basıncı : 33 Bar

Çalışma Sıcaklığı : -10 / 120 °C





TECHNICAL DATA

TEKNİK BİLGİ

Code Kod	Type Tip	Draw. Şekil	V	Ø D	H	h1	h2	Connections Bağlantılar		
								Inlet Giriş	Outlet Çıkış	Safety Valve Emniyet Valfi
020AA1175	ICRDG 20 A SOLDER	fig.a	20	219	640	-	-	16,1 ODS	16,1 ODS	
020AA1176	ICRDG 20 A ODS				665				RV 16,1 ODS	
020AA1177	ICRDG 20 B SOLDER	fig.b			640	16,1 ODS	✓			
020AA1178	ICRDG 20 B ODS				665	RV 16,1 ODS	✓			
020AA1179	ICRDG 20 C SOLDER	fig.c			644	16,1 ODS	✓			
020AA1180	ICRDG 20 C ODS				644	RV 16,1 ODS	✓			
020AA1181	ICRDG 20 D SOLDER	fig.d			640	16,1 ODS				
020AA1182	ICRDG 20 D ODS				640	RV 16,1 ODS				
020AA1183	ICRDG 20 E SOLDER	fig.e			609	16,1 ODS				
020AA1184	ICRDG 20 E ODS				609	RV 16,1 ODS				
020AA1185	ICRDG 25 A SOLDER	fig.a	25	219	799	-	19,1 ODS	19,1 ODS		
020AA1186	ICRDG 25 A ODS				799			RV 19,1 ODS		
020AA1187	ICRDG 25 B SOLDER	fig.b			799	19,1 ODS		✓		
020AA1188	ICRDG 25 B ODS				832	RV 19,1 ODS		✓		
020AA1189	ICRDG 25 C SOLDER	fig.c			799	19,1 ODS		✓		
020AA1190	ICRDG 25 C ODS				832	RV 19,1 ODS		✓		
020AA1191	ICRDG 25 D SOLDER	fig.d			799	19,1 ODS				
020AA1192	ICRDG 25 D ODS				799	RV 19,1 ODS				
020AA1193	ICRDG 25 E SOLDER	fig.e			764	19,1 ODS				
020AA1194	ICRDG 25 E ODS				764	RV 19,1 ODS				
020AA1195	ICRDG 30 A SOLDER	fig.a	30	273	647	-	22,5 ODS	22,5 ODS		
020AA1196	ICRDG 30 A ODS				680			RV 22,5 ODS		
020AA1197	ICRDG 30 B SOLDER	fig.b			647	22,5 ODS		✓		
020AA1198	ICRDG 30 B ODS				680	RV 22,5 ODS		✓		
020AA1199	ICRDG 30 C SOLDER	fig.c			647	22,5 ODS		✓		
020AA1200	ICRDG 30 C ODS				647	RV 22,5 ODS		✓		
020AA1201	ICRDG 30 D SOLDER	fig.d			647	22,5 ODS				
020AA1202	ICRDG 30 D ODS				647	RV 22,5 ODS				
020AA1203	ICRDG 30 E SOLDER	fig.e			612	22,5 ODS				
020AA1204	ICRDG 30 E ODS				612	RV 22,5 ODS				

VERTICAL LIQUID RECEIVER - WITH SIGHT GLASSES

GÖZETLEME CAMLI DIK LİKİT DEPOLARI



Intended Use:

VERTICAL LIQUID RECEIVERS WITH SIGHT GLASSES
(ICRDCG SERIES)

Our vertical receivers with sight glasses have capacities from 30lt upto 570lt. We can make production of different capacity receivers upon request. Liquid receiver are used to send liquid phase refrigerant to the expansion valve. Also liquid receivers can stock the refrigerant inside when there is a repair needed in the system. It is not allowed to fill the liquid receivers over 90% at 40°C. According to PED our RDCG Series receiver are equipped with a safety valve connection (internal thread 1/2" NPT) and also with a electronic level control connection (internal thread 1/2" NPT & external thread 1 1/4" rotalock) in standard over 90% at 40°C.

Technical Specification:

Working Pressure : 33 Bar

Working Temperature : -10 / 120 °C

Kullanım Alanı:

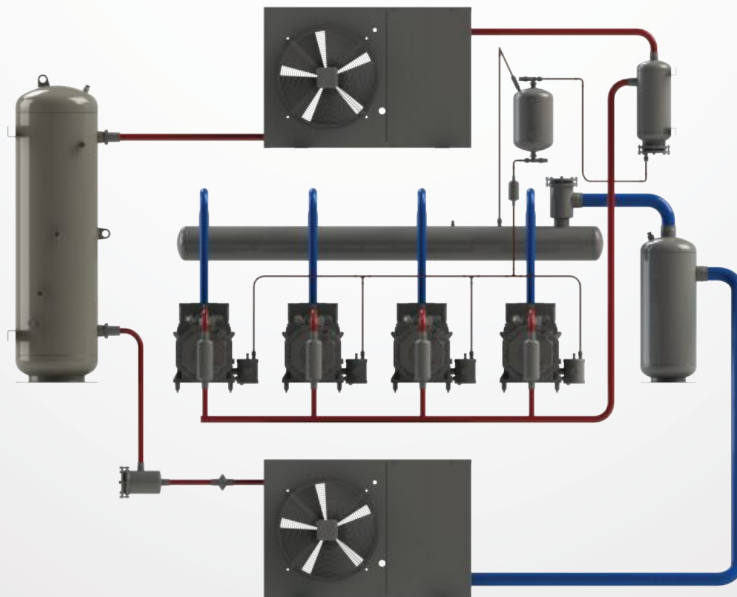
GÖZETLEMELİ DIK LİKİT DEPO (ICRDCG SERİSİ)

Gözetlemeli dik likit depolarımız 30lt ila 570lt kapasiteler arasında imal edilmektedirler. Özel istek halinde farklı kapasitelerde imalat yapabilmekteyiz. Likit depoları sistemde çevrim halindeki soğutucu akışkanın genişleme valfine likit olarak gitmesini sağlamaktadırlar. Ayrıca sistemde meydana gelebilecek bir arıza durumunda tamir esnasında sistemdeki soğutucu akışkanın muhafaza edilmesini sağlamaktadır. Gaz doluluk oranı 40°C de %90'ın üzerine çıkmaması gerekmektedir. RDCG serisi likit depolarında kullanılması zorunlu olan emniyet valflerinin bağlantı noktası (1/2" NPT iç dış) ve likitin alt seviye geldiğini elektronik olarak haber almak için kullanacağınız elektronik seviye kontrol cihazının bağlantı noktası (1/2" NPT iç dış & 1 1/4" Rotalog dış dış) standart olarak üründe mevcuttur.

Teknik Özellikler:

Çalışma Basıncı : 33 Bar

Çalışma Sıcaklığı : -10 / 120 °C



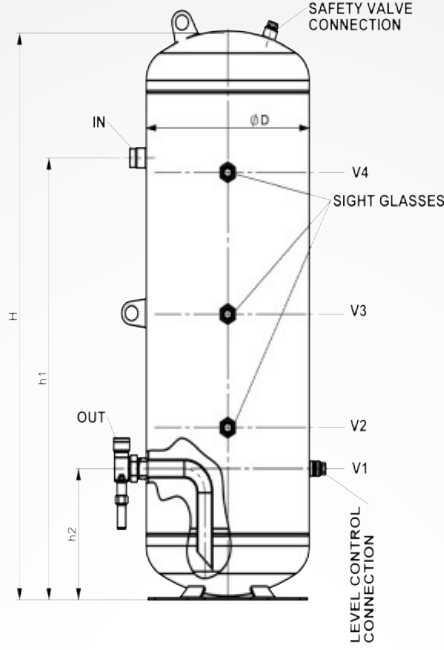


fig.a

TECHNICAL DATA												TEKNİK BİLCİ							
Code Kod	Type Tip	Draw. Şekil	V	Ø D	H	h ₁	h ₂	Volume Percentage Hacim Oranları				Inlet Giriş	Outlet Çıkış	Connections Bağlantılar					
								V ₁	V ₂	V ₃	V ₄			Safety Valve Emniyet Valfi	Level Control Seviye Kontrol	Sight Glass Low Level Alt Seviye Gözetleme Camı	Sight Glass Med. Lev Orta Seviye Gözetleme Camı	Sight Glass High Level Üst Seviye Gözetleme Camı	
020AA1205	ICRDCG 30	fig.a	30	273	612	462	158	8,5	8,3	-	21,2	22,5 ODS	RV 22,5 ODS	✓	✓	✓	-	✓	
020AA1206	ICRDCG 40		850		700	35,8					28,7 ODS	RV 28,7 ODS	✓	✓	✓	-	✓		
020AA1207	ICRDCG 50		1040		890	44,2							✓	✓	✓	-	✓		
020AA1208	ICRDCG 60		1165		1015	49,5							✓	✓	✓	-	✓		
020AA1209	ICRDCG 70		1400		1250	158					8,5	8,3	37	60	✓	✓	✓	✓	✓
020AA1210	ICRDCG 90		90	323	1300	1050	262	14,4	19,8	47	77	35,2 ODS	RV 35,2 ODS	✓	✓	✓	✓	✓	
020AA1211	ICRDCG 100		100		1440	1189				47	80			✓	✓	✓	✓	✓	
020AA1212	ICRDCG 130		130		1851	1601				69	110			✓	✓	✓	✓	✓	
020AA1213	ICRDCG 160		160	2251	2001	83	135	42,1 ODS	RV 42,1 ODS	✓	✓	✓	✓	✓	✓				
020AA1214	ICRDCG 130 A		130	400	1191	916	270	27	37	65	100	35,2 ODS	RV 35,2 ODS	✓	✓	✓	✓	✓	
020AA1215	ICRDCG 160 A		160		1434	1170			46	80	131	42,1 ODS	RV 42,1 ODS	✓	✓	✓	✓	✓	✓
020AA1216	ICRDCG 200 A		200		1773	1508			58	100	163	FL 76	RV 54,2 ODS	✓	✓	✓	✓	✓	✓
020AA1217	ICRDCG 225 A		225	1985	1720	65	112	183	✓	✓	✓			✓	✓	✓	✓		
020AA1218	ICRDCG 200		200	485	1200	900	310	38	53	95	138			FL 76	RV 54,2 ODS	✓	✓	✓	✓
020AA1219	ICRDCG 250		250		1500	1200				120	190	✓	✓			✓	✓	✓	
020AA1220	ICRDCG 300		300		1750	1450				141	232	✓	✓			✓	✓	✓	
020AA1221	ICRDCG 350		350		2000	1700				163	267	CIV 120-66	✓	✓	✓	✓	✓	✓	
020AA1222	ICRDCG 400		400		2350	2050				194	315		✓	✓	✓	✓	✓		
020AA1223	ICRDCG 450		450	2550	2250	211	342	✓	✓	✓	✓	✓							
020AA1224	ICRDCG 410		410	640	1446	1526	425	82	82	196	312	BFL 76	CIV 120-76	✓	✓	✓	✓	✓	
020AA1225	ICRDCG 490		490		1696	1776				234	387			✓	✓	✓	✓	✓	
020AA1226	ICRDCG 570		570		1946	2026				272	462			✓	✓	✓	✓	✓	

CENTRAL SYSTEM VERTICAL LIQUID RECEIVER

MERKEZİ SİSTEM DİK LİKİT DEPOLARI



Intended Use:

CENTRAL SYSTEM VERTICAL LIQUID RECEIVER (ICRDMG SERIES) Our central system vertical liquid receivers with sight glasses have capacities from 30lt upto 570lt. We can make production of different capacity receivers upon request. Liquid receiver are used to send liquid phase refrigerant to the expansion valve. Also liquid receivers can stock the refrigerant inside when there is a repair needed in the system. It is not allowed to fill the liquid receivers over 90% at 40°C. According to PED our ICRDMG Series receiver are equipped with a safety valve connection (internal thread 1/2" NPT) and also with a electronic level control connection (internal thread 1/2" NPT & external thread 1 1/4" rotalock) in standard.

Technical Specification:

Working Pressure : 33 Bar

Working Temperature : -10 / 120 °C

Kullanım Alanı:

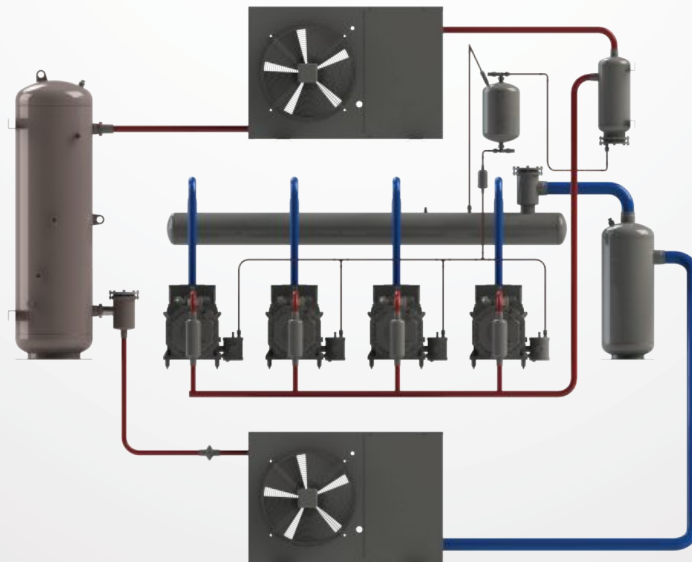
MERKEZİ SİSTEM DİK LİKİT DEPOSU (ICRDMG SERİSİ)

Merkezi sistem dik likit depolarımız 30lt ila 570lt kapasiteler arasında imal edilmektedirler. Özel istek halinde farklı kapasitelerde imalat yapabilmekteyiz. Likit depoları standart olarak çıkışlarında filtre kartuş kovanları ile birlikte gönderilmektedir. Likit depoları sistemde çevrim halindeki soğutucu akışkanın genleşme valfine likit olarak gitmesini sağlamaktadır. Ayrıca sistemde meydana gelebilecek bir arıza durumunda tamir esnasında sistemdeki soğutucu akışkanın muhafaza edilmesini sağlamaktadır. Gaz doluluk oranı 40°C de %90'ın üzerine çıkmaması gerekmektedir. RYCG serisi likit depolarında gözetleme camları, kullanılması zorunlu olan emniyet valflerinin bağlantı noktası (1/2" NPT iç dış) ve likitin alt seviye geldiğini elektronik olarak haber almak için kullanacağınız elektronik seviye kontrol cihazının bağlantı noktası (iç dış 1/2" - dış dış 1 1/4" rotalog) standart olarak üründe mevcuttur.

Teknik Özellikler:

Çalışma Basıncı : 33 Bar

Çalışma Sıcaklığı : -10 / 120 °C



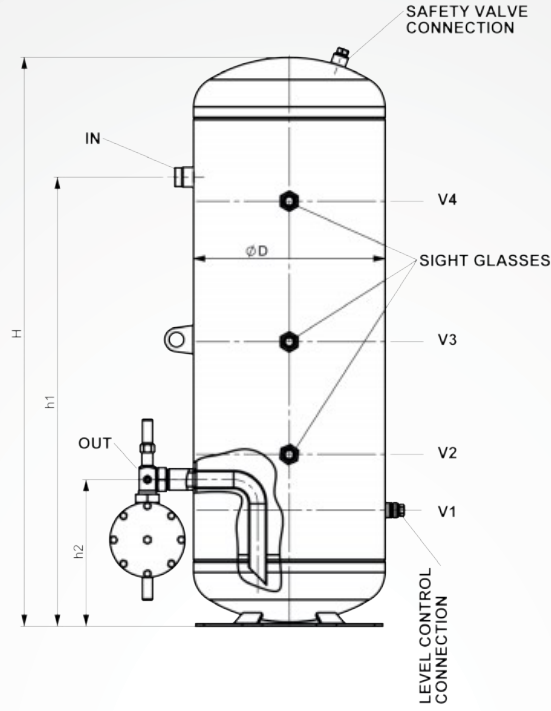


fig.a

TECHNICAL DATA											TEKNİK BİLGİ								
Code Kod	Type Tip	Draw. Şekil	V	ø D	H	h ₁	h ₂	Volume Percentage Hacim Oranları				Inlet Giriş	Connections Bağlantılar						
								V ₁	V ₂	V ₃	V ₄		Outlet Çıkış	Rotolock Valve Rotalog Vana	Filter Drier Shell Filtre Kartuş Kovanı	Safety Valve Emniyet Valfi	Level Control Seviye Kontrol	Sight Glass - Low Level Alt Seviye Gözetleme Camı	Sight Glass - Med. Lev. Orta Seviye Gözetleme Camı
020AA1227	ICRDMG 30	fig.a	30	273	612	462	258	8,2	8,2	-	21,2	22,5 ODS	RV 22,5 ODS	H 48X1	✓	✓	✓	-	✓
020AA1228	ICRDMG 40		40		850	700					35,5				✓	✓	✓	-	✓
020AA1229	ICRDMG 50		50		1040	890					44				✓	✓	✓	-	✓
020AA1230	ICRDMG 70		70	994	814	35	58	28,7 ODS	RV 28,7 ODS	✓	✓	✓	-		✓				
020AA1231	ICRDMG 90		90	1300	1050	46,7	76,7	35,2 ODS	RV 35,2 ODS	✓	✓	✓	✓		✓				
020AA1232	ICRDMG 100		100	1440	1189	52	85,3			✓	✓	✓	✓		✓				
020AA1233	ICRDMG 130		130	1850	1601	68	110,5			✓	✓	✓	✓		✓				
020AA1234	ICRDMG 160		160	2250	2000	83	135	42,1 ODS	RV 42,1 ODS	✓	✓	✓	✓		✓				
020AA1235	ICRDMG 130 A		130	1191	930	300	36,2	64,5	99	35,2 ODS	RV 35,2 ODS	✓	✓		✓	✓			
020AA1236	ICRDMG 160 A		160	1434	1183	362	23	45,7	79,5	130	42,1 ODS	RV 42,1 ODS	✓		✓	✓	✓		
020AA1237	ICRDMG 200 A		200	1773	1473	359	58	100	163	FL 76	RV 54,2 ODS	✓	✓		✓	✓	✓		
020AA1238	ICRDMG 200		200	1200	900							95	138		✓	✓	✓	✓	✓
020AA1239	ICRDMG 250		250	1500	1200							120	189		✓	✓	✓	✓	✓
020AA1240	ICRDMG 300		300	1750	1450	141	231	✓	✓	✓	✓	✓							

UNIVERSAL LIQUID RECEIVER WITH SIGHT GLASSES

GÖZETLEME CAMLI ÜNİVERSAL DEPOLAR



Intended Use:

UNIVERSAL LIQUID RECEIVERS WITH SIGHT GLASSES (ICRDYG SERIES)

Our universal receivers with sight glasses have capacities from 30lt upto 570lt. This type of receivers can used either vertical or horizontal. We can make production of different capacity receivers upon request. Liquid receiver are used to send liquid phase refrigerant to the expansion valve. Also liquid receivers can stock the refrigerant inside when there is a repair needed in the system. It is not allowed to fill the liquid receivers over 90% at 40°C. According to PED our ICRDYG Series receiver are equipped with a safety valve connection (internal thread 1/2" NPT) and also with a electronic level control connection (internal thread 1/2" NPT & external thread 1 1/4" rotalock) in standard.

Technical Specification:

Working Pressure : 33 Bar

Working Temperature: -10 / 120 °C

Kullanım Alanı:

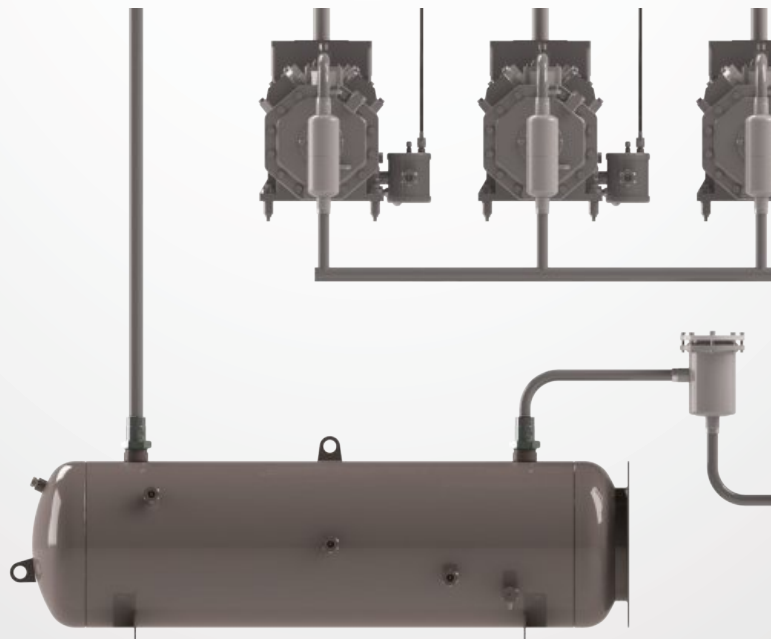
DİK & YATIK (ÜNİVERSAL) LİKİT DEPO (ICRDYG SERİSİ)

Üniversal likit depolarımız 30lt ile 570lt kapasiteleri arasında imal edilmektedirler. Gerek duyulduğunda dik ve gerek duyulduğunda yatık olarak montajı yapılabilen çok yönlü bir likit deposudur. Özel istek halinde farklı kapasitelerde imalat yapabilmekteyiz. Likit depoları sistemde çevrim halindeki soğutucu akışkanın genişleme valfine likit olarak gitmesini sağlamaktadırlar. Ayrıca sistemde meydana gelebilecek bir arıza durumunda tamir esnasında sistemdeki soğutucu akışkanın muhafaza edilmesini sağlamaktadır. Gaz doluluk oranı 40°C de %90'ın üzerine çıkmaması gerekmektedir. RYCG serisi likit depolarında gözetleme camları, kullanılması zorunlu olan emniyet valflerinin bağlantı noktası (1/2" NPT iç dış) ve likitin alt seviye geldiğini elektronik olarak haber almak için kullanacağınız elektronik seviye kontrol cihazının bağlantı noktası (iç dış 1/2" - dış dış 1 1/4" Rotalog) standart olarak üründe mevcuttur.

Teknik Özellikler:

Çalışma Basıncı : 33 Bar

Çalışma Sıcaklığı : -10 / 120 °C



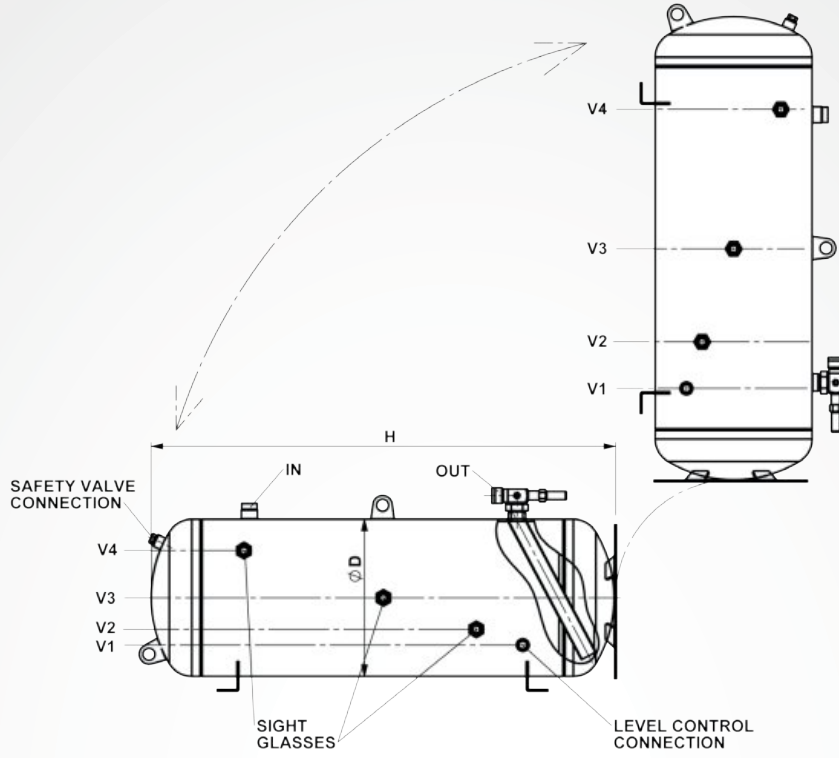
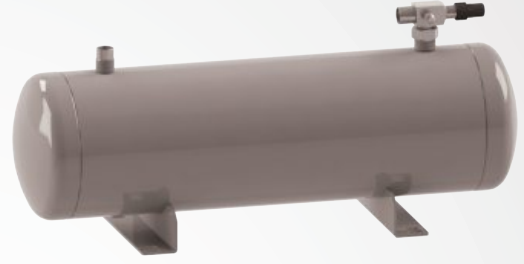


fig.a

TECHNICAL DATA											TEKNİK BİLCİ					
Code Kod	Type Tip	Draw. Şekil	V	Ø D	H	Volume Percentage Hacim Oranları				Inlet Giriş		Connections Bağlantılar				
						V1	V2	V3	V4	Inlet Giriş	Outlet Çıkış	Safety Valve Emniyet Valfi	Level Control Seviye Kontrol	Sight Glass Low Level Alt Seviye Gözetleme Camı	Sight Glass Med. Lev Orta Seviye Gözetleme Camı	Sight Glass High Level Üst Seviye Gözetleme Camı
020AA1260	ICRDYG 40	fig.a	40	273	850	9	12	-	32	28,7 ODS	RV 28,7 ODS	✓	✓	✓		✓
020AA1261	ICRDYG 50		50		1040	11	15	25	40			✓	✓	✓	✓	✓
020AA1262	ICRDYG 70		70		1400	14	21	35	56			✓	✓	✓	✓	✓
020AA1263	ICRDYG 90		90	323	1300	18	27	45	72	35,2 ODS	RV 35,2 ODS	✓	✓	✓	✓	✓
020AA1264	ICRDYG 100		100		1440	20	30	50	80			✓	✓	✓	✓	✓
020AA1265	ICRDYG 130		130		1851	26	40	65	104			✓	✓	✓	✓	✓
020AA1266	ICRDYG 160		160	400	2251	32	48	80	128	42,1 ODS	42,1 ODS	✓	✓	✓	✓	✓
020AA1267	ICRDYG 130 A		130		1191	26	40	65	104			✓	✓	✓	✓	✓
020AA1268	ICRDYG 160 A		160		1434	32	48	80	128			✓	✓	✓	✓	✓
020AA1269	ICRDYG 200 A		200	485	1773	40	60	100	160	FL 76	RV 54,2 ODS	✓	✓	✓	✓	✓
020AA1270	ICRDYG 225 A		225		1985	45	68	113	180			✓	✓	✓	✓	✓
020AA1271	ICRDYG 200		200		1200	40	60	100	160			✓	✓	✓	✓	✓
020AA1272	ICRDYG 250		250	640	1500	50	75	125	200	BFL 76	CIV 120-66	✓	✓	✓	✓	✓
020AA1273	ICRDYG 300		300		1750	60	90	150	240			✓	✓	✓	✓	✓
020AA1274	ICRDYG 350		350		2000	70	105	175	280			✓	✓	✓	✓	✓
020AA1275	ICRDYG 400		400	570	2350	80	120	200	320	CIV 120-76	CIV 120-76	✓	✓	✓	✓	✓
020AA1276	ICRDYG 450		450		2550	90	135	225	360			✓	✓	✓	✓	✓
020AA1277	ICRDYG 410		410		1446	82	123	205	312			✓	✓	✓	✓	✓
020AA1278	ICRDYG 490		490	570	1696	98	147	245	387	BFL 76	CIV 120-76	✓	✓	✓	✓	✓
020AA1279	ICRDYG 570		570		1946	115	171	285	462			✓	✓	✓	✓	✓

HORIZONTAL LIQUID RECEIVERS

YATIK LİKİT DEPOLAR



Intended Use:

HORIZONTAL LIQUID RECEIVERS (ICRYG SERIES)

Our horizontal receivers have capacities from 7lt upto 30lt. We can make production of different capacity receivers upon request. Liquid receiver are used to send liquid phase refrigerant to the expansion valve. Also liquid receivers can stock the refrigerant inside when there is a repair needed in the system. It is not allowed to fill the liquid receivers over 90% at 40°C.

Technical Specification:

Working Pressure : 33 Bar

Working Temperature : -10 / 120 °C

Kullanım Alanı:

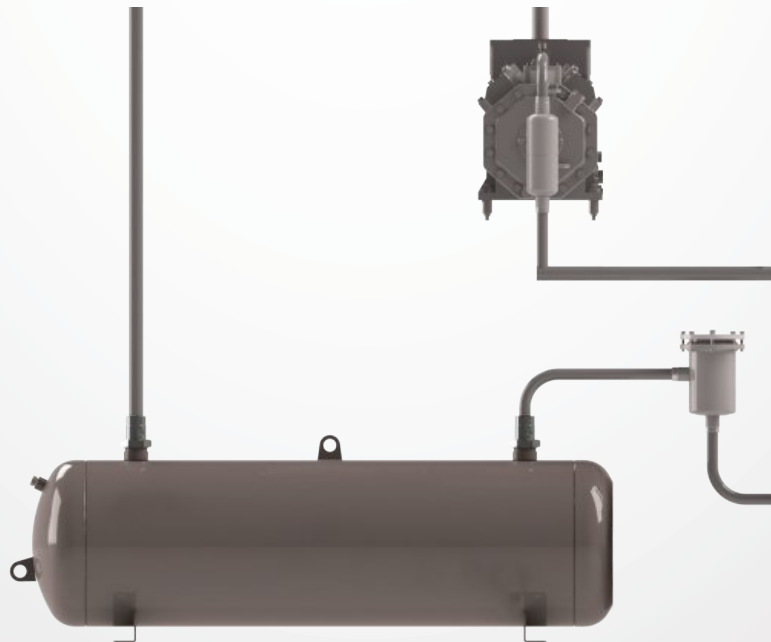
YATIK LİKİT DEPO (ICRYG SERİSİ)

Yatık likit depolarımız 7lt ile 30lt kapasiteleri arasında imal edilmektedirler. Özel istek halinde farklı kapasitelerde imalat yapabilmekteyiz. Likit depoları sistemde çevrim halindeki soğutucu akışkanın genleşme valfine likit olarak gitmesini sağlamaktadır. Ayrıca sistemde meydana gelebilecek bir arıza durumunda tamir esnasında sistemdeki soğutucu akışkanın muhafaza edilmesini sağlamaktadır. Gaz doluluk oranı 40°C de %90'ın üzerine çıkmaması gerekmektedir.

Teknik Özellikler:

Çalışma Basıncı : 33 Bar

Çalışma Sıcaklığı : -10 / 120 °C



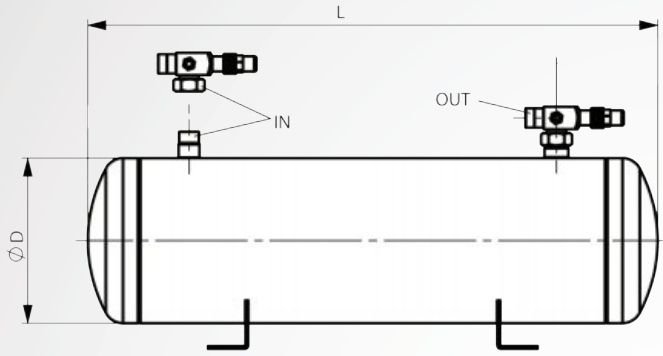


fig.a

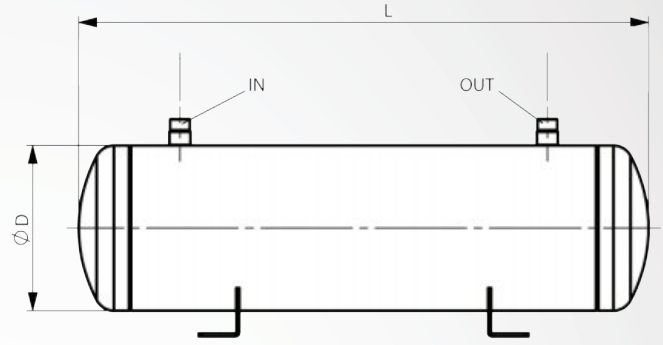


fig.b

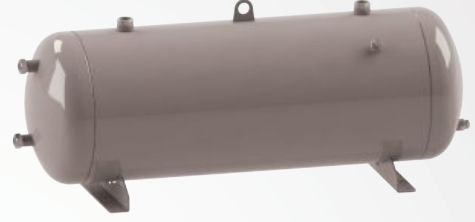
TECHNICAL DATA

TEKNİK BİLGİ

Code Kod	Type Tip	Draw. Şekil	V	Ø D	L	Connections Bağlantılar		
						Inlet Giriş	Outlet Çıkış	
020AA1280	ICRYG 7 SOLDER	figb	7	140	530	9,6 ODS	9,6 ODS	
020AA1281	ICRYG 7 ODS	figa					RV 9,6 ODS	
020AA1282	ICRYG 7 SOLDER	figb				12,8 ODS	12,8 ODS	
020AA1283	ICRYG 7 ODS	figa					RV 12,8 ODS	
020AA1284	ICRYG 10 SOLDER	figb	10	168	780	12,8 ODS	12,8 ODS	
020AA1285	ICRYG 10 ODS	figa					RV 12,8 ODS	
020AA1286	ICRYG 10 SOLDER	figb				16,1 ODS	16,1 ODS	
020AA1287	ICRYG 10 ODS	figa					RV 16,1 ODS	
020AA1288	ICRYG 15 SOLDER	figb	15	219	905	16,1 ODS	16,1 ODS	
020AA1289	ICRYG 15 ODS	figa					RV 16,1 ODS	
020AA1290	ICRYG 20 SOLDER	figb	20	219	905	22,5 ODS	22,5 ODS	
020AA1291	ICRYG 20 ODS	figa					RV 22,5 ODS	
020AA1292	ICRYG 25 SOLDER	figb	25	219	905		22,5 ODS	22,5 ODS
020AA1293	ICRYG 25 ODS	figa						RV 22,5 ODS
020AA1294	ICRYG 30 SOLDER	figb	30	219	905	22,5 ODS	22,5 ODS	
020AA1295	ICRYG 30 ODS	figa					RV 22,5 ODS	

HORIZONTAL LIQUID RECEIVERS WITH SIGHT GLASSES

GÖZETLEME CAMLI YATIK LİKİT DEPOLAR



Intended Use:

HORIZONTAL LIQUID RECEIVERS WITH SIGHT GLASSES (ICRYCG SERIES)

Our horizontal receivers with sight glasses have capacities from 30lt upto 570lt. We can make production of different capacity receivers upon request. Liquid receiver are used to send liquid phase refrigerant to the expansion valve. Also liquid receivers can stock the refrigerant inside when there is a repair needed in the system. It is not allowed to fill the liquid receivers over 90% at 40°C. According to PED our ICRYCG Series receiver are equipped with a safety valve connection (internal thread 1/2" NPT) and also with a electronic level control connection (internal thread 1/2" NPT & external thread 1 1/4" rotalock) in standard.

Technical Specification:

Working Pressure : 33 Bar

Working Temperature : -10 / 120 °C

Kullanım Alanı:

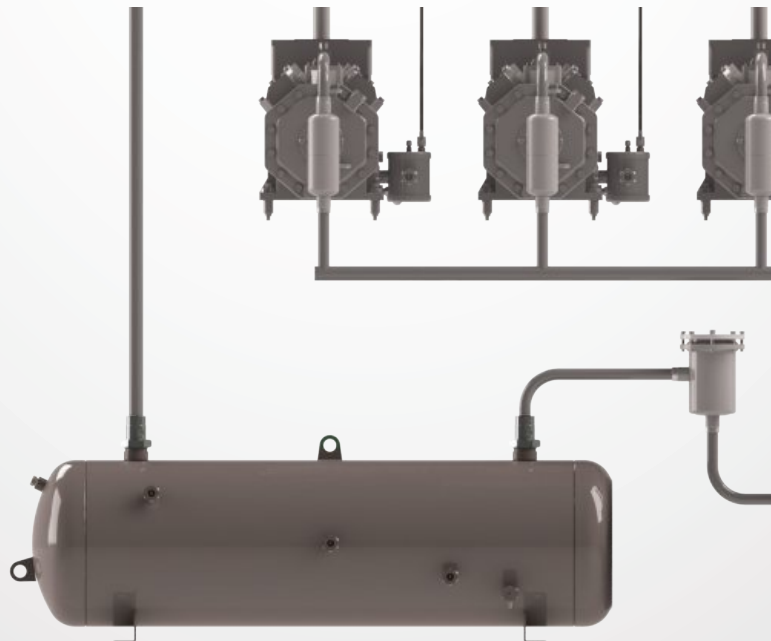
GÖZETLEMELİ YATIK LİKİT DEPO (ICRYCG SERİSİ)

Gözetlemeli yatık likit depolarımız 30lt ile 570lt kapasiteleri arasında imal edilmektedirler. Özel istek halinde farklı kapasitelerde imalat yapabilmekteyiz. Likit depoları sistemde çevrim halindeki soğutucu akışkanın genişleme valfine likit olarak gitmesini sağlamaktadırlar. Ayrıca sistemde meydana gelebilecek bir arıza durumunda tamir esnasında sistemdeki soğutucu akışkanın muhafaza edilmesini sağlamaktadır. Gaz doluluk oranı 40°C de %90'ın üzerine çıkmaması gerekmektedir. RYCG serisi likit depolarında kullanılması zorunlu olan emniyet valflerinin bağlantı noktası (1/2" NPT iç diş & 1 1/4" Rotalog dış diş) ve likitin alt seviye geldiğini elektronik olarak haber almak için kullanacağınız elektronik seviye kontrol cihazının bağlantı noktası (iç diş 1/2" - dış diş 1 1/4" rotalog) standart olarak üründe mevcuttur.

Teknik Özellikler:

Çalışma Basıncı : 33 Bar

Çalışma Sıcaklığı : -10 / 120 °C



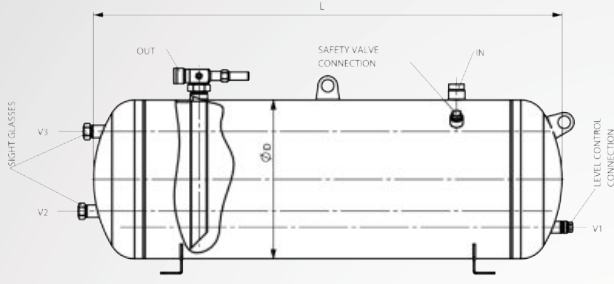


fig.a

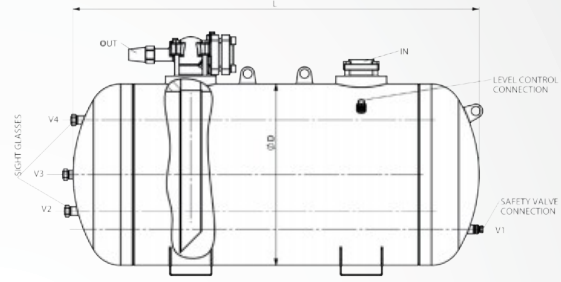


fig.b

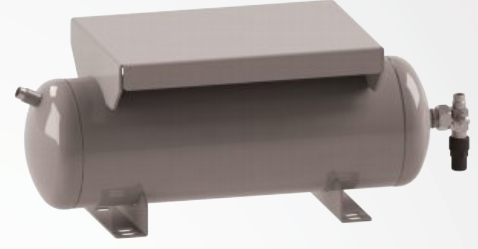
TECHNICAL DATA

TEKNİK BİLGİ

Code Kod	Type Tip	Draw. Şekil	V	ø D	L	Volume Percentage Hacim Oranları				Inlet Giriş	Outlet Çıkış	Connections Bağlantılar				
						V1	V2	V3	V4			Safety Valve Emniyet Valfi	Level Control Seviye Kontrol	Sight Glass Low Level Alt Seviye Gözetleme Camı	Sight Glass Med. Lev Orta Seviye Gözetleme Camı	Sight Glass High Level Üst Seviye Gözetleme Camı
020AA1296	ICRYCG 30	fig.a	30	219	905	6	-	15	-	22,5 ODS	RV 22,5 ODS	✓	✓		✓	
020AA1297	ICRYCG 40		40		850	8	-	20	-	28,7 ODS	RV 28,7 ODS	✓	✓		✓	
020AA1298	ICRYCG 50		50	273	1040	10	-	25	-			✓	✓		✓	
020AA1299	ICRYCG 70		70		1400	14	-	35	-			✓	✓		✓	
020AA1300	ICRYCG 90		90	323	1300	18	27	-	72	35,2 ODS	RV 35,2 ODS	✓	✓	✓		✓
020AA1301	ICRYCG 100		100		1440	20	30	-	80			✓	✓	✓		✓
020AA1302	ICRYCG 130		130		1851	26	39	-	104			✓	✓	✓		✓
020AA1303	ICRYCG 160		160		2251	32	48	-	128			✓	✓	✓		✓
020AA1304	ICRYCG 130 A		130	400	1191	26	39	-	104	35,2 ODS	RV 35,2 ODS	✓	✓	✓		✓
020AA1305	ICRYCG 160 A		160		1434	32	48	-	128	42,1 ODS	RV 42,1 ODS	✓	✓	✓	✓	✓
020AA1306	ICRYCG 200 A	200		1773	40	60	-	160	FL 76	RV 54,2 ODS	✓	✓	✓	✓	✓	
020AA1307	ICRYCG 225 A	225	1985	45	68	-	180	✓			✓	✓	✓	✓		
020AA1308	ICRYCG 200	200	1200	40	60	-	160	✓			✓	✓	✓	✓		
020AA1309	ICRYCG 250	250	1500	50	75	-	200	✓			✓	✓	✓	✓		
020AA1310	ICRYCG 300	300	485	1750	60	90	-	240	CIV 120-66	CIV 120-66	✓	✓	✓	✓	✓	
020AA1311	ICRYCG 350	350		2000	70	105	-	280			✓	✓	✓	✓	✓	
020AA1312	ICRYCG 400	400		2350	80	120	-	320			✓	✓	✓	✓	✓	
020AA1313	ICRYCG 450	450		2550	90	135	-	360			✓	✓	✓	✓	✓	
020AA1314	ICRYCG 410	410	640	1446	82	123	205	328	BFL 76	CIV 120-76	✓	✓	✓	✓	✓	
020AA1315	ICRYCG 490	490		1696	98	147	245	392			✓	✓	✓	✓	✓	
020AA1316	ICRYCG 570	570		1946	144	171	285	456			✓	✓	✓	✓	✓	

HORIZONTAL LIQUID RECEIVERS WITH BASEPLATE FOR COMPRESSORS

ŞASELİ YATIK LİKİT DEPOLAR



Intended Use:

HORIZONTAL LIQUID RECEIVERS WITH BASEPLATE FOR COMPRESSORS (ICRYSG SERIES)

Our horizontal liquid receivers with baseplates for compressors are produced from 7lt up to 30lt in standard. We can make production of different capacity and design receivers upon request. . Liquid receiver are used to send liquid phase refrigerant to the expansion valve. Also liquid receivers can stock the refrigerant inside when there is a repair needed in the system. It is not allowed to fill the liquid receivers over 90% at 40°C.

Technical Specification:

Working Pressure : 33 Bar

Working Temperature : -10 / 120 °C

Kullanım Alanı:

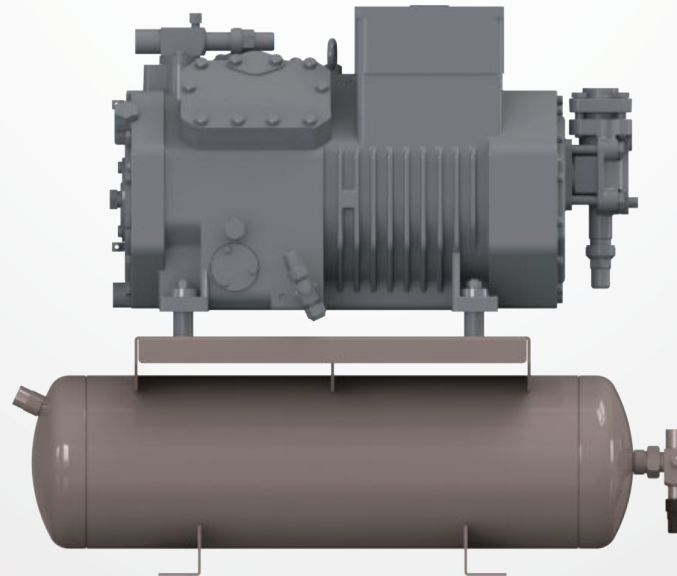
KOMPRESÖRLER İÇİN ŞASELİ YATIK LİKİT DEPO (ICRYSG SERİSİ)

Şaseli yatık likit depolarımız 7lt ile 30lt kapasiteleri arasında imal edilmektedirler. Özel istek halinde farklı tasarımlarda ve kapasitelerde imalat yapabilmekteyiz. Likit depoları sistemde çevrim halindeki soğutucu akışkanın genişleme valfine likit olarak gitmesini sağlamaktadırlar. Ayrıca sistemde meydana gelebilecek bir arıza durumunda tamir esnasında sistemdeki soğutucu akışkanın muhafaza edilmesini sağlamaktadır. Gaz doluluk oranı 40°C de %90'ın üzerine çıkmaması gerekmektedir.

Teknik Özellikler:

Çalışma Basıncı : 33 Bar

Çalışma Sıcaklığı : -10 / 120 °C



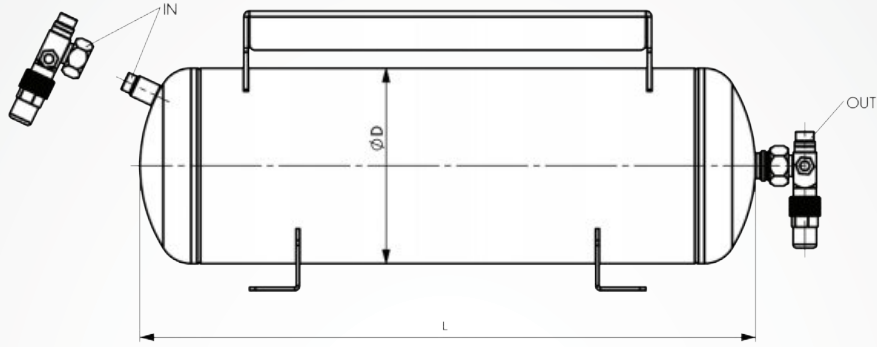


fig.a

TECHNICAL DATA

TEKNİK BİLGİ

Code Kod	Type Tip	Draw. Şekil	V	Ø D	L	Compressor Support Plate Dimension Kompresör Şasesi Ölçüleri	Connections Bağlantılar	
							Inlet Giriş	Outlet Çıkış
020AA1317	ICRYSG 7	fig.a	7	140	530	255 x 350	9,6 ODS	RV 9,6 ODS
020AA1318	ICRYSG 10		10	168	528	255 x 350	12,8 ODS	RV 12,8 ODS
020AA1319	ICRYSG 15		15	168	779	350 x 500	16,1 ODS	RV 16,1 ODS
020AA1320	ICRYSG 20		20	219	615	300 x 400	22,5 ODS	RV 12,8 ODS
020AA1321	ICRYSG 25		25	219	760	350 x 500		
020AA1322	ICRYSG 30		30	219	905	350 x 700		

COMPACT LIQUID RECEIVERS & HEAT EXCHANGERS

KOMPAKT LİKİT DEPOLAR



Intended Use:

COMPACT LIQUID RECEIVERS & HEAT EXCHANGERS (ICRDKG SERIES)

This is our own patent pending product. This product is a standard liquid receiver that includes a suction accumulator inside. Product transfers the heat of the hot liquid from pressure side to the suction accumulator and by that way the refrigerant reach the compressor in gas phase. Suction accumulator side of the compact receiver also send required oil via an orifice included at the bottom of the suction accumulator. Also as the heat of the liquid line side decrease the vibration of the system decrease and system works much comfortable. These compact liquid receivers & heat exchangers increase the system performance up to 29% with the heat transfer.

(Expected evaporation is -5°C to -50°C)

Technical Specification:

Working Pressure : 33 Bar

Working Temperature : -10 / 120 °

Kullanım Alanı:

KOMPAKT LİKİT DEPO (ICRDKG SERİSİ)

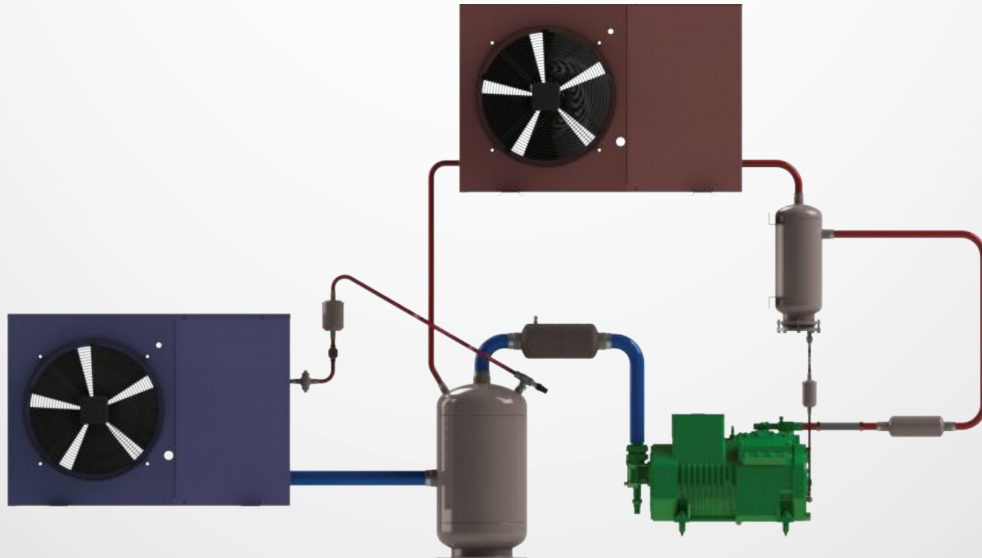
Dik likit deposunun içine likit akümülatörü yerleştirilmiş halidir. Basınç hattındaki sıcak likitin ısısını dönüş hattındaki likit akümülatörünün içindeki akışkana transfer edilmesini ve bu sayede kompresöre gaz fazında ulaşmasını sağlar aynı zamanda likit akümülatörünün içinden orifis vasıtası ile aldığı yağı gaz halindeki soğutucu akışkan ile birlikte gönderir. Basınç hattındaki gazın ısısının düşmesi ile sistemin vibrasyonu azalır sistemin daha rahat çalışması sağlanır. Kompakt likit depolar gerçekleştirdikleri ısı transferi sayesinde sistemde %29'e kadar kapasite artışı sağlamaktadır.

(Tercih edilen evaporasyon sıcaklığı -5°C ila -50°C arasındır).

Teknik Özellikler:

Çalışma Basıncı : 33 Bar

Çalışma Sıcaklığı : -10 / 120 °C



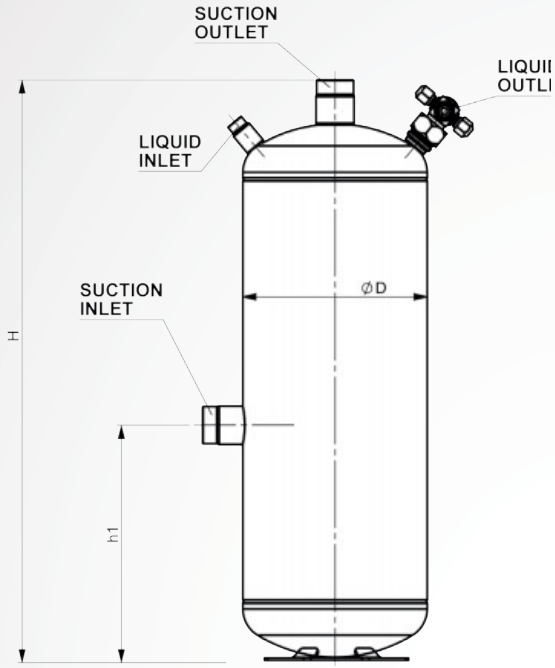


fig.a

Before
ÖnceAfter
Sonra

TECHNICAL DATA

TEKNİK BİLGİ

Code Kod	Type Tıp	Draw. Şekil	Liquid Receiver Likit Deposu	Suction Accumulator Likit Tutucu	ø D	H	h1	Connections Bağlantılar		
								Liquid Receiver Likit Deposu		Suction Accumulator Likit Tutucu
								Inlet Giriş	Outlet Çıkış	Inlet - Outlet Giriş - Çıkış
020AA1323	ICRDKG 2-1	fig.a	2	1	140	331	203	9,6 ODS	RV 9,6 ODS	16,1 ODS
020AA1324	ICRDKG 3-1		3							22,5 ODS
020AA1325	ICRDKG 4-2		4	2	168	530	216	12,2 ODS	RV 12,2 ODS	28,7 ODS
020AA1326	ICRDKG 6-2		6							
020AA1327	ICRDKG 7-3		7	3	219	440	200	16,1 ODS	RV 16,1 ODS	35,2 ODS
020AA1328	ICRDKG 8-4		8							
020AA1329	ICRDKG 10-4		10	4	273	358	164	19,1 ODS	RV 19,1 ODS	42,1 ODS
020AA1330	ICRDKG 10-4 KISA									
020AA1331	ICRDKG 12-6		12	6	273	430	258	22,5 ODS	RV 22,5 ODS	54,2 ODS
020AA1332	ICRDKG 12-6 KISA									
020AA1333	ICRDKG 17-8		17	8	323	442	177	22,5 ODS	RV 22,5 ODS	54,2 ODS
020AA1334	ICRDKG 17-8 KISA									
020AA1335	ICRDKG 25-9		25	9	273	713	371	22,5 ODS	RV 22,5 ODS	54,2 ODS
020AA1336	ICRDKG 25-9 KISA									
020AA1337	ICRDKG 30-12		30	12	273	1056	532	22,5 ODS	RV 22,5 ODS	54,2 ODS
020AA1338	ICRDKG 30-12 KISA									

FILTER DRIER SHELLS

FİLTRE KARTUŞ KOVANI



Intended Use:

FILTER DRIER SHELLS (ICFKBG SERIES)

Filter drier shells are generally used to place and fix the drier cores to filter the unwanted particules in the system to move forward and to absorb the humidity and the other chemicals in the refrigerant. We have shells for H48 series and for H100 series for one core, for two cores, for three core and for four cores in standards.

Technical Specification:

Working Pressure : 33 Bar

Working Temperature: -10 / 120 °C

Kullanım Alanı:

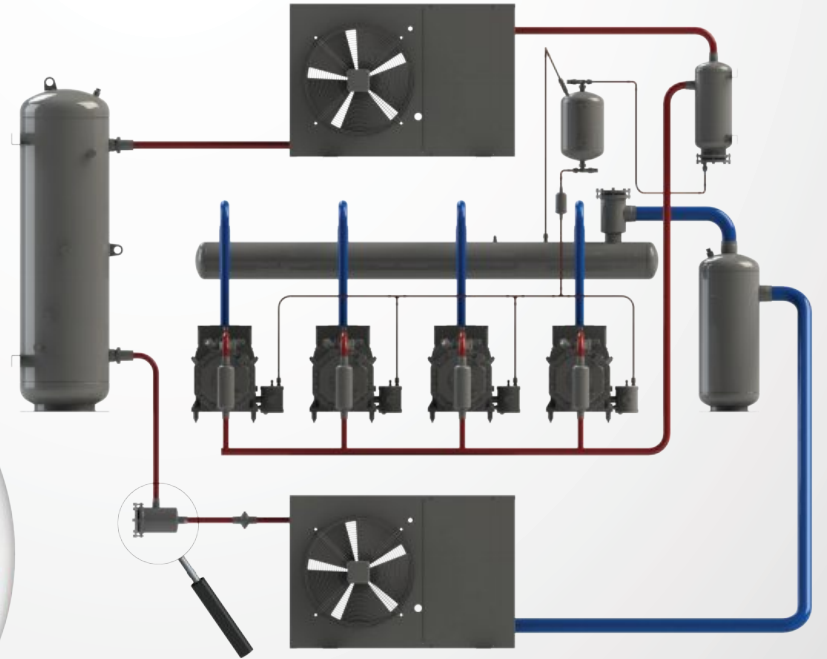
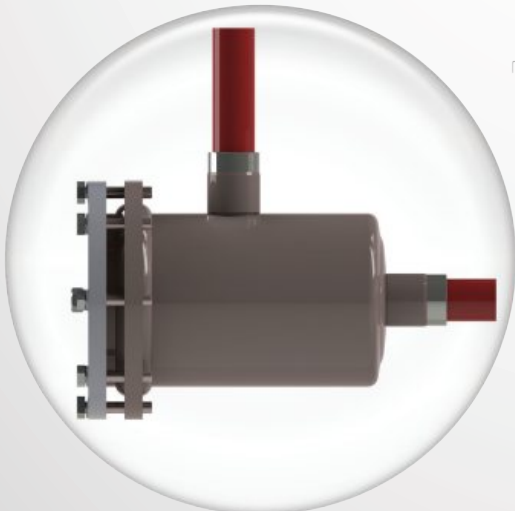
FİLTRE KARTUŞ KOVANI (ICFKBG SERİSİ)

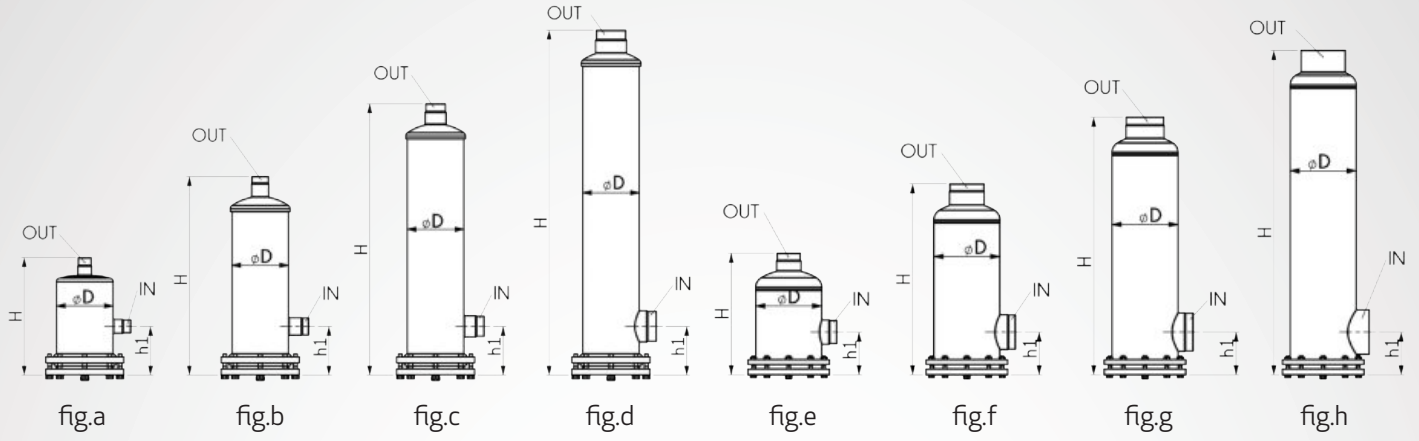
Kartuş kovanları sistemin genel olarak istenmeyen partiküllerinin toplandığı ve soğutucu akışkanın içindeki istenmeyen nemi kendi bünyesinde absorbe eden taş filtrelerin yerleştirildiği ürünlerdir. H48 tipi filtre taşları ve H100 filtre taşları için uygun tekli, çiftli, üçlü ve dördü kartuş kovanlarını standart olarak üretmekteyiz.

Teknik Özellikler:

Çalışma Basıncı : 33 Bar

Çalışma Sıcaklığı : -10 / 120 °C





TECHNICAL DATA

TEKNİK BİLGİ

Code Kod	Type Tip	Draw. Şekil	V Lt (dm³)	V (m³/h)	ø D	H	h1	Connections Bağlantılar											
								Inlet - Outlet Giriş - Çıkış	Filter Core Filtre Taşı										
020AA1339	ICFKBC 485	fig.a	0,80	30-250	114	226	96	16,1 ODS	1 x H48										
020AA1340	ICFKBC 487					231		22,5 ODS											
020AA1341	ICFKBC 489					236		28,7 ODS											
020AA1342	ICFKBC 4811					236		35,2 ODS											
020AA1343	ICFKBC 4813					241	42,1 ODS												
020AA1344	ICFKBC 4817					241	54,2 ODS												
020AA1345	ICFKBC 4821					248	67,3 ODS												
020AA1346	ICFKBC 4825					246	80,3 ODS												
020AA1347	ICFKBC 967	fig.b	1,64	100-350	114	385	96	22,5 ODS	2 x H48										
020AA1348	ICFKBC 969					390		28,7 ODS											
020AA1349	ICFKBC 9611					390		35,2 ODS											
020AA1350	ICFKBC 9613					394		42,1 ODS											
020AA1351	ICFKBC 9617					392	54,2 ODS												
020AA1352	ICFKBC 9621					398	67,3 ODS												
020AA1353	ICFKBC 9625					396	80,3 ODS												
020AA1354	ICFKBC 14409					fig.c	2,40	200-550		114	533	96	28,7 ODS	3 x H48					
020AA1355	ICFKBC 14411	533	35,2 ODS																
020AA1356	ICFKBC 14413	536	42,1 ODS																
020AA1357	ICFKBC 14417	534	54,2 ODS																
020AA1358	ICFKBC 14421	540	67,3 ODS																
020AA1359	ICFKBC 14425	540	80,3 ODS																
020AA1360	ICFKBC 19209	fig.d	3,10	350-800	114				676		96	28,7 ODS	4 x H48						
020AA1361	ICFKBC 19211								676			35,2 ODS							
020AA1362	ICFKBC 19213					679	42,1 ODS												
020AA1363	ICFKBC 19217					677	54,2 ODS												
020AA1364	ICFKBC 19221					683	67,3 ODS												
020AA1365	ICFKBC 19225					683	80,3 ODS												
020AA1366	ICFKBC 10025					fig.e	1,5	50-350	168	313	108	80,3 ODS		1 x H100					
020AA1367	ICFKBC 10026									311		89 ODS							
020AA1368	ICFKBC 10027	309	108,4 ODS																
020AA1369	ICFKBC 20025	482	80,3 ODS																
020AA1370	ICFKBC 20026	fig.f	3	200-500	168					480	108	89 ODS	2 x H100						
020AA1371	ICFKBC 20027									478		108,3 ODS							
020AA1372	ICFKBC 30025									652		80,3 ODS							
020AA1373	ICFKBC 30026									fig.g		4,5			400-900	168	650	108	89 ODS
020AA1374	ICFKBC 30027					648	108,4 ODS												
020AA1375	ICFKBC 40025					822	80,3 ODS												
020AA1376	ICFKBC 40026					fig.h	6	700-1500	168		820			108			89 ODS		4 x H100
020AA1377	ICFKBC 40027										818						108,3 ODS		

DRIER FILTERS

DRAYER FİLTRELER



with sight glass
gözetleme camlı

bi-flow
bi-flow

Intended Use:

DRIER FILTERS (ICDCG SERIES)

The function of the drier filters are to filter the unwanted particles like burs, solder spots and to absorb the humidity and other chemicals inside the refrigerant. All our DCG series product are made by filter cores inside made of 20% Active Alumina and 80% Molecular Sieve.

Technical Specification:

Working Pressure : 33 Bar

Working Temperature : -10 / 120 °C

Particles larger than 0.05 mm

Kullanım Alanı:

DRAYER FİLTRE (ICDCG SERİSİ)

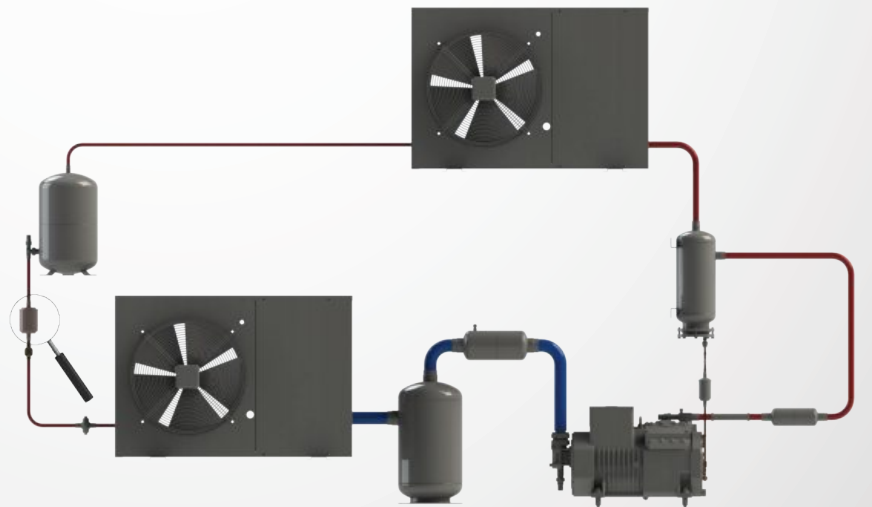
Drayer filtrelerin amacı genel olarak istenmeyen partiküllerinin tutulması ve soğutucu akışkanın içindeki istenmeyen nem vb diğer kimyasalların absorbe edilmesi için kullanılırlar. Ürünlerimizin tamamı %20 Aktif Alümina & %80 Moleküler Sieve içeren blok taşlardan imal edilmektedirler.

Teknik Özellikler:

Çalışma Basıncı : 33 Bar

Çalışma Sıcaklığı: -10 / 120 °C

0.05 mm büyük parçacıklar





standard/ standart

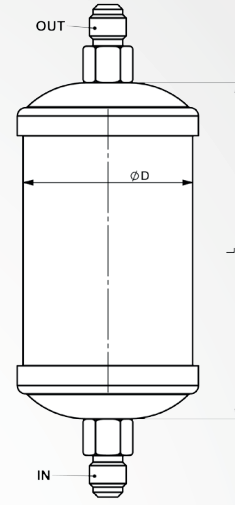


fig.a

TECHNICAL DATA

TEKNİK BİLGİ

Code Kod	Type Tıp	Draw. Şekil	V	ø D	L	Connections Bağlantılar	
						Inlet Giriş	Outlet Çıkış
020AA1378	ICDCG-D 52	fig.a	0,1	52	67	1/4" SAE	
020AA1379	ICDCG-D 53		0,1		67	3/8" SAE	
020AA1380	ICDCG-D 82		0,2		102	1/4" SAE	
020AA1381	ICDCG-D 83		0,2		102	3/8" SAE	
020AA1382	ICDCG-D 163		0,5	76	110	3/8" SAE	
020AA1383	ICDCG-D 164		0,5		110	1/2" SAE	
020AA1384	ICDCG-D 165		0,5		110	5/8" SAE	
020AA1385	ICDCG-D 303		0,8		200	3/8" SAE	
020AA1386	ICDCG-D 304		0,8	200	1/2" SAE		
020AA1387	ICDCG-D 305		0,8	52	200	5/8" SAE	
020AA1388	ICDCG-S 52		0,1		67	6,4 ODS	
020AA1389	ICDCG-S 53		0,1		67	9,6 ODS	
020AA1390	ICDCG-S 82		0,2		102	6,4 ODS	
020AA1391	ICDCG-S 83		0,2	102	9,6 ODS		
020AA1392	ICDCG-S 163		0,5	76	110	9,6 ODS	
020AA1393	ICDCG-S 164		0,5		110	12,8 ODS	
020AA1394	ICDCG-S 165		0,5		110	16,1 ODS	
020AA1395	ICDCG-S 303		0,8		200	9,6 ODS	
020AA1396	ICDCG-S 304		0,8	200	12,8 ODS		
020AA1397	ICDCG-S 305		0,8	200	16,1 ODS		
020AA1398	ICDCG-O 83		0,2	52	102	3/8" SAE	
020AA1399	ICDCG-O 163		0,5	76	110	3/8" SAE	
020AA1400	ICDCG-O 164		0,5		110	1/2" SAE	
020AA1401	ICDCG-O 165		0,5		110	5/8" SAE	
020AA1402	ICDCG-O 303		0,8		200	3/8" SAE	
020AA1403	ICDCG-O 304		0,8		200	1/2" SAE	
020AA1404	ICDCG-O 305		0,8		200	5/8" SAE	



bi-flow / bi-flow

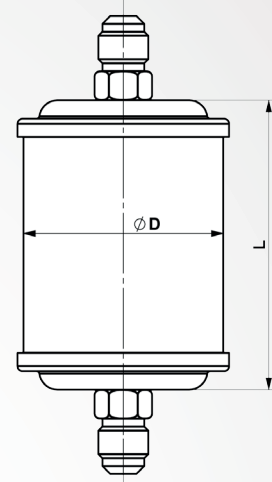


fig.a

TECHNICAL DATA

TEKNİK BİLGİ

Code Kod	Type Tip	Draw. Şekil	V	ø D	L	Connections Bağlantılar	
						Inlet Giriş	Outlet Çıkış
O20AA1405	ICDCG-D 82 BF	fig.a	0,2	76	90	1/4" SAE	
O20AA1406	ICDCG-D 83 BF		0,2			3/8" SAE	
O20AA1407	ICDCG-D 163 BF		0,5		108	3/8" SAE	
O20AA1408	ICDCG-D 164 BF		0,5			1/2" SAE	
O20AA1409	ICDCG-D 165 BF		0,5		5/8" SAE		
O20AA1410	ICDCG-D 303 BF		0,8		186	3/8" SAE	
O20AA1411	ICDCG-D 304 BF		0,8			1/2" SAE	
O20AA1412	ICDCG-D 305 BF		0,8		5/8" SAE		
O20AA1413	ICDCG-S 82 BF		0,2		90	6,4 ODS	
O20AA1414	ICDCG-S 83 BF		0,2		9,6 ODS		
O20AA1415	ICDCG-S 163 BF		0,5		108	9,6 ODS	
O20AA1416	ICDCG-S 164 BF		0,5			12,8 ODS	
O20AA1417	ICDCG-S 165 BF		0,5		16,1 ODS		
O20AA1418	ICDCG-S 303 BF		0,8		186	9,6 ODS	
O20AA1419	ICDCG-S 304 BF		0,8			12,8 ODS	
O20AA1420	ICDCG-S 305 BF		0,8			16,1 ODS	



with sight glass / gözetleme camlı

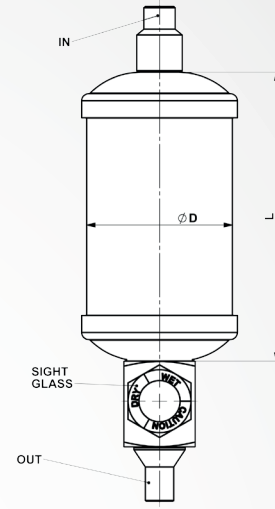


fig.a

TECHNICAL DATA

TEKNİK BİLGİ

Code Kod	Type Tip	Draw. Şekil	V	$\varnothing D$	L	Connections Bağlantılar	
						Inlet Giriş	Outlet Çıkış
020AA1421	ICDCG-D 82 G	fig.a	0,2	76	102	1/4" SAE	
020AA1422	ICDCG-D 83 G		0,2		102	3/8" SAE	
020AA1423	ICDCG-D 163 G		0,5		110	3/8" SAE	
020AA1424	ICDCG-D 164 G		0,5		110	1/2" SAE	
020AA1425	ICDCG-D 165 G		0,5		110	5/8" SAE	
020AA1426	ICDCG-D 303 G		0,8		200	3/8" SAE	
020AA1427	ICDCG-D 304 G		0,8		200	1/2" SAE	
020AA1428	ICDCG-D 305 G		0,8		200	5/8" SAE	
020AA1429	ICDCG-S 82 G		0,2	52	102	6,4 ODS	
020AA1430	ICDCG-S 83 G		0,2		102	9,6 ODS	
020AA1431	ICDCG-S 163 G		0,5	76	110	9,6 ODS	
020AA1432	ICDCG-S 164 G		0,5		110	12,8 ODS	
020AA1433	ICDCG-S 165 G		0,5		110	16,1 ODS	
020AA1434	ICDCG-S 303 G		0,8		200	9,6 ODS	
020AA1435	ICDCG-S 304 G		0,8		200	12,8 ODS	
020AA1436	ICDCG-S 305 G		0,8		200	16,1 ODS	
020AA1437	ICDCG-O 83 G		0,2	52	102	3/8" SAE	
020AA1438	ICDCG-O 163 G		0,5	76	110	3/8" SAE	
020AA1439	ICDCG-O 164 G		0,5		110	1/2" SAE	
020AA1440	ICDCG-O 165 G		0,5		110	5/8" SAE	
020AA1441	ICDCG-O 303 G		0,8		200	3/8" SAE	
020AA1442	ICDCG-O 304 G		0,8		200	1/2" SAE	
020AA1443	ICDCG-O 305 G		0,8		200	5/8" SAE	

MECHANICAL PRESSURE FILTERS

BASINÇ HATTI FİLTRELERİ

Intended Use:

MECHANICAL PRESSURE FILTERS (ICFBG SERIES)

The function of mechanical filter is to protect the expansion valve and the solenoid valve against burrs and welding spots.

Technical Specification:

Working Pressure : 33 Bar

Working Temperature : -10 / 120 °C

Particles larger than 0.05 mm



Kullanım Alanı:

BASINÇ HATTI FİLTRELERİ (ICFBG SERİSİ)

Basınç hat filtresi genleşme valfi orifisine ve solenoid çekirdeğine gidebilecek olası istenmeyen katı parçacıkları filtre eder.

Teknik Özellikler:

Çalışma Basıncı : 33 Bar

Çalışma Sıcaklığı : -10 / 120 °C

0.05 mm büyük parçacıklar

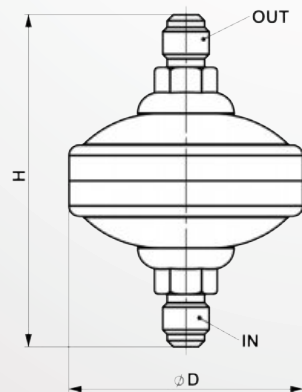
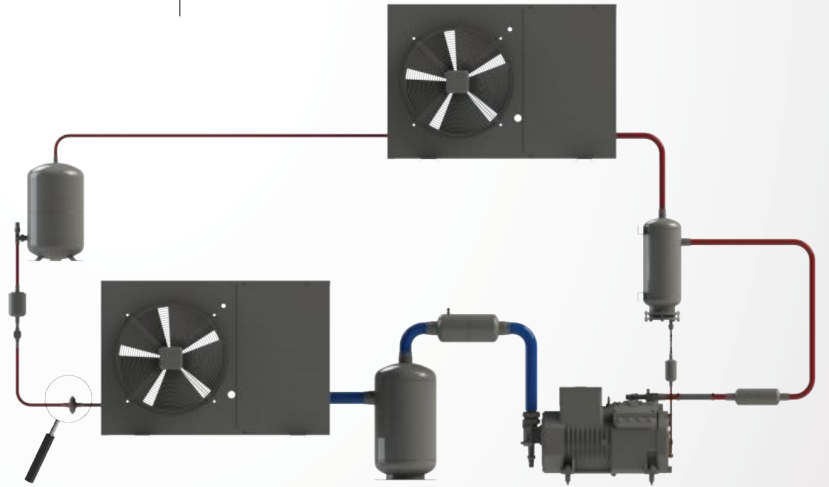


fig.a

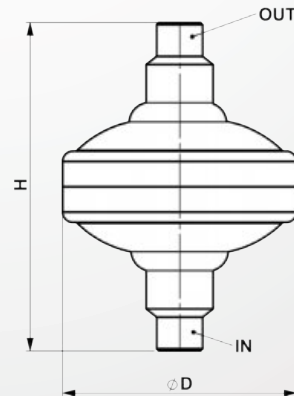


fig.b

FILTER DRIER SHELL ACCESSORIES

FİLTRE KARTUŞ KOVANI AKSESUARLARI



TECHNICAL INFORMATIONS			TEKNİK BİLGİ
Code Kod	Type Tip	Descriptions	Tanımlar
020AA1251	ICH48	80% Moleculer Sieve, 20% Aktive Alumina. High Moisture & Acid	80% Moleküler Sieve, 20% Aktif Alümina. Yüksek nem & Asit
020AA1252	ICB48	75% Moleculer Sieve, 20% Aktive Alumina, 5% Aktive Carbon. High Acid / Burnout.	75% Moleküler Sieve, 20% Aktif alümina, 5% Aktif Karbon. Yoğun Asit ve Yanık Sistem
020AA1253	ICSF48	Mechanical Fibre Filter	Mekanik Bez Fitre
020AA1254	ICSSF48	Stainless Steel Mechanical Mesh Filter	Mekanik paslanmaz tel elek filtre
020AA1255	ICH100	80% Moleculer Sieve, 20% Aktive Alumina. High Moisture & Acid	80% Moleküler Sieve, 20% Aktif Alümina. Yüksek nem & Asit
020AA1256	ICB100	75% Moleculer Sieve, 20% Aktive Alumina, 5% Aktive Carbon. High Acid / Burnout.	75% Moleküler Sieve, 20% Aktif alümina, 5% Aktif Karbon. Yoğun Asit ve Yanık Sistem
020AA1257	ICSF100	Mechanical Fibre Filter	Mekanik Bez Fitre
020AA1258	ICSSF100	Stainless Steel Mechanical Mesh Filter	Mekanik paslanmaz tel elek filtre
020AA1259	Gasket Kit for Shells	Gaskets used during replacement of filter cores.	Element değişimi esnasında kullanılan contalar

TECHNICAL DATA							TEKNİK BİLGİ	
Code Kod	Type Tip	Draw. Şekil	V	ø D	H	Connections Bağlantılar		Filter Mesh Paslanmaz Elek
						Inlet Giriş	Outlet Çıkış	
020AA1241	ICFBG 52-1/4"	figa	0,05	52	71	1/4" SAE		12 kw
020AA1242	ICFBG 52-3/8"				85	3/8" SAE		
020AA1243	ICFBG 76-1/2"				92	1/2" SAE		
020AA1244	ICFBG 52-6	figb	0,05	52	75	6,4 ODS		
020AA1245	ICFBG 52-10				81	9,6 ODS		
020AA1246	ICFBG 76-12				88	12,8 ODS		
020AA1247	ICFBG 76-16				88	16,1 ODS		
020AA1248	ICFBG 76-19				98	19,1 ODS		
020AA1249	ICFBG 76-22				98	22,5 ODS		
020AA1250	ICFBG 76-28				180	28,7 ODS		

MUFFLERS

SUSTURUCULAR



Intended Use:

MUFFLERS (ICSUG SERIES)

Mufflers are compensating peak pressures made by compressor and give a balanced pressure to the system. By that way mufflers eliminate high vibrations occurred due to peak pressure levels. In bigger models there is a copper oil drain tube at the outlet, please install the bigger mufflers by placing this copper to downside.

Technical Specification:

Working Pressure : 33 Bar

Working Temperature : -10 / 120 °C

Kullanım Alanı:

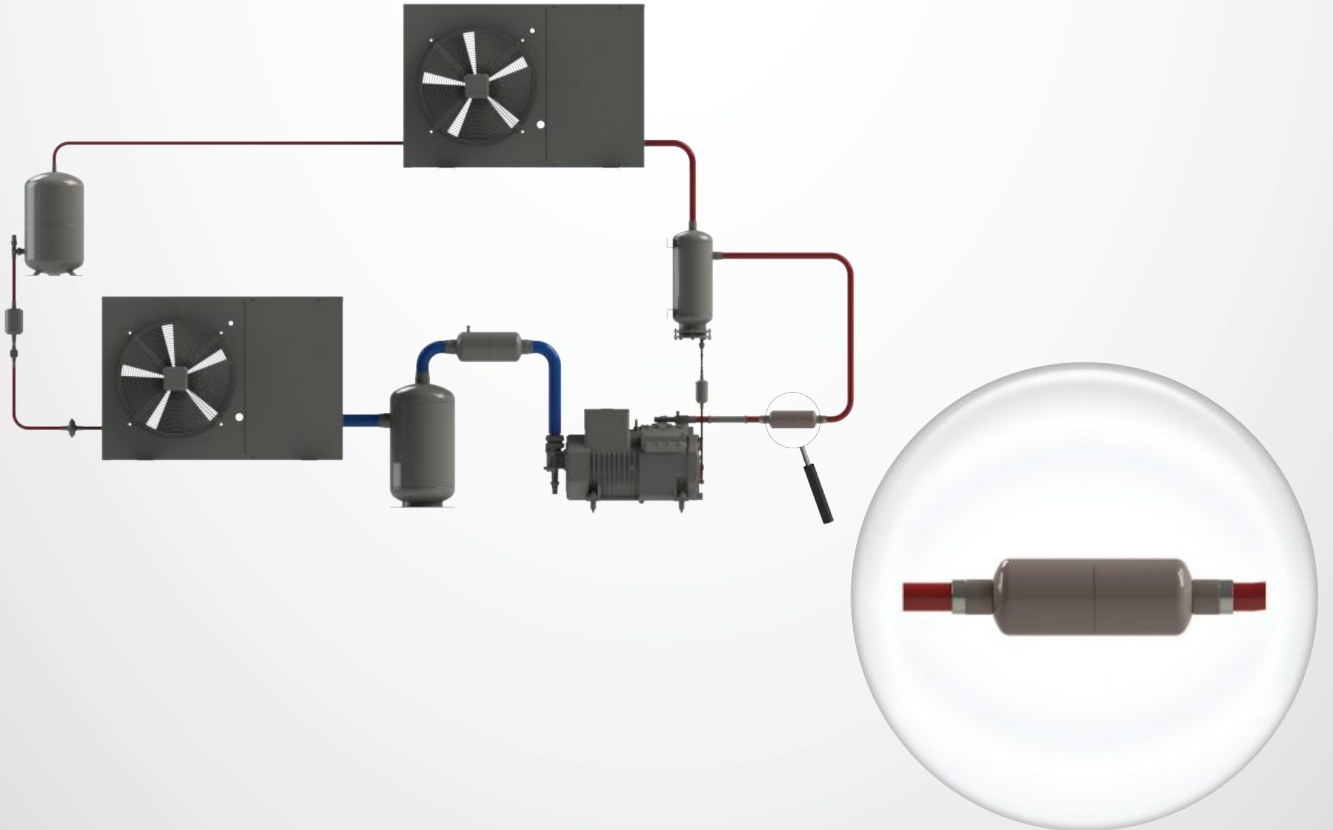
SUSTURUCULAR (ICSUG SERİSİ)

Susturucuların genel amacı kompresör çıkışında oluşan dalgalı basıncı düzenlemek ve dalgalı basınç nedeni ile oluşan titreşimleri önlemektir. Büyük modellerde çıkış bağlantısının iç tarafında bulunan bakır yağ tahliye borusu alt tarafa gelecek şekilde yatay montaj yapılmalıdır.

Teknik Özellikler:

Çalışma Basıncı : 33 Bar

Çalışma Sıcaklığı : -10 / 120 °C



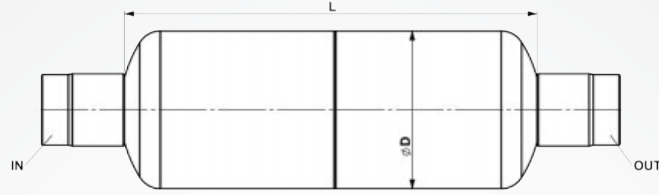


fig.a

Pressure Drop Basınç Kaybı	Refrigerant Soğutucu
P Bar	
0.29	R 134a
0.38	R 407c
0.45	R 404 - R 507
0.51	R 410

Before
ÖnceAfter
Sonra

TECHNICAL DATA

TEKNİK BİLGİ

Code Kod	Type Tip	Draw. Şekil	V	ø D	L	Connections Bağlantılar		Oil Outlet Pipe Yağ Çıkış Borusu
						Inlet Giriş	Outlet Çıkış	
020AA1444	ICSUG 76-16	fig.a	0,75	76	203	16,1 ODS		-
020AA1445	ICSUG 76-22					22,5 ODS		-
020AA1446	ICSUG 76-28					28,7 ODS		-
020AA1447	ICSUG 101-35		1,5	101	212	35,2 ODS		-
020AA1448	ICSUG 101-42					42,1 ODS		-
020AA1449	ICSUG 125-54		3	125	273	54,2 ODS		6 mm
020AA1450	ICSUG 125-67					67,3 ODS		

SUCTION ACCUMULATORS

LİKİT TUTUCULAR



Intended Use:

SUCTION ACCUMULATOR (ICLTG SERIES)

The function of a suction accumulator is to eliminate entering of the liquid phase refrigerant or oil in to the compressor. Suction accumulator lets gas phase refrigerant with required amount of oil to enter to the compressor. When you install a suction accumulator to a system before the operation its needed to be filled with required amount of oil in to the accumulator. These amounts are mentioned in the catalogue. As an option you can have suction accumulator with upper and lower level sight glasses and liquid level controls as well.

SUCTION ACCUMULATORS & HEAT EXCHANGERS (ICLTAG SERIES)

The difference of ICLTAG series from ICLTG series is to have a U shaped copper tube inside that you can weld the pressure line to transfer the heat of the pressure side by that way you can improve the capacity of the suction accumulator and compressor will receive gas phase refrigerant much more easier and comfortable. When you install a suction accumulator & heat exchanger to a system before the operation its needed to be filled with required amount of oil in to the accumulator. These amounts are mentioned in the catalogue. As an option you can have suction accumulator & heat exchanger with upper and lower level sight glasses and liquid level controls as well.

Technical Specification:

Working Pressure : 33 Bar

Working Temperature : -10 / 120 °

Kullanım Alanı:

LİKİT TUTUCU (ICLTG SERİSİ)

Likit tutucuların görevi emiş hattındaki soğutucu akışkanın kompresöre gaz fazında ulaşmasını sağlamak ve bu esnada dip noktadaki orifis sayesinde gaz halindeki soğutucu akışkanın içine yağ katarak kompresöre iletir. Sisteme montajı yapıldığı esnada içerisine katalog değerlerine göre yağ konularak sistemde devreye alınmasına özen gösterilmelidir. Ürün üzerine opsiyonel olarak gözetleme camları ve seviye kontrol bağlantıları konulabilir.

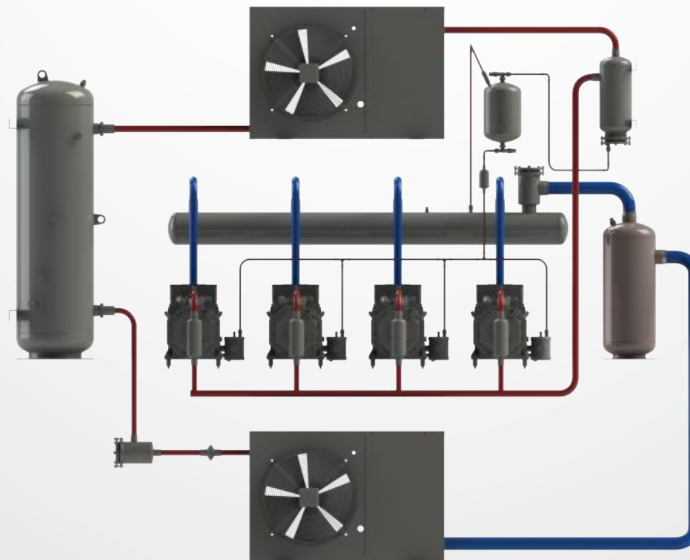
LİKİT AKÜMÜLATÖRÜ (ICLTAG SERİSİ)

Likit akümülatörlerinin LTG serisi likit tutuculardan farkı ilave olarak içine yerleştirilen ve basınç hattının bağlanacağı serpantin boru yerleştirilmiş halidir. Bu sayede emiş hattında soğutucu akışkan ısıtılmakta ve buharlaşma oranı LTG serisi likit tutuculara göre çok daha etkin olmaktadır. Sisteme montajı yapıldığı esnada içerisine katalog değerlerine göre yağ konularak sistemde devreye alınmasına özen gösterilmelidir. Ürün üzerine opsiyonel olarak gözetleme camları ve seviye kontrol bağlantıları konulabilir.

Teknik Özellikler:

Çalışma Basıncı : 33 Bar

Çalışma Sıcaklığı : -10 / 120 °C



TECHNICAL DATA

TEKNİK BİLGİ

Code Kod	Type Tip	Draw. Şekil	First Oil Charge İlk Yağ Dolumu (Lt)	V	ø D	H	h1	Safety Valve Emniyet Valfi	Connections Bağlantılar			
									Inlet - Outlet Giriş - Çıkış			
020AA1451	ICLTG-S 0,75-12	figa	0,5	0,75	76	240	178		12,8 ODS			
020AA1452	ICLTG-S 1,5-12								12,8 ODS			
020AA1453	ICLTG-S 1,5-16			0,6	1,5	101	256		16,1 ODS			
020AA1454	ICLTG-S 1,5-18								19,1 ODS			
020AA1455	ICLTG-S 2-16			0,8	2	125	238	148		16,1 ODS		
020AA1456	ICLTG-S 2-18											19,1 ODS
020AA1457	ICLTG-S 3-22				3	125	323	233		22,5 ODS		
020AA1458	ICLTG-S 3-28									328		28,7 ODS
020AA1459	ICLTG-S 4-22		1,1	4	152	302	207		22,5 ODS			
020AA1460	ICLTG-S 4-28					307			28,7 ODS			
020AA1461	ICLTG-S 6-22	figb	1,2	6	168	316	213		22,5 ODS			
020AA1462	ICLTG-S 6-28										321	
020AA1463	ICLTG-S 6-35									35,2 ODS		
020AA1464	ICLTG-S 8-28									28,7 ODS		
020AA1465	ICLTG-S 8-35			8			353	245		35,2 ODS		
020AA1466	ICLTG-S 8-42						358			42,1 ODS		
020AA1467	ICLTG-S 10-28			1,5	10	219	375	256		28,7 ODS		
020AA1468	ICLTG-S 10-35										380	
020AA1469	ICLTG-S 10-42											42,1 ODS
020AA1470	ICLTG-S 12,5-42			12,5		450	320		42,1 ODS			
020AA1471	ICLTG-S 12,5-54								54,2 ODS			
020AA1472	ICLTG-S 15-42		2	15	250	415	273		42,1 ODS			
020AA1473	ICLTG-S 15-54											54,2 ODS
020AA1474	ICLTG-S 20-28			20	250	474	335		28,7 ODS			
020AA1475	ICLTG-S 20-35								479		35,2 ODS	
020AA1476	ICLTG-S 20-42										42,1 ODS	
020AA1477	ICLTG-S 20-54							54,2 ODS				
020AA1478	ICLTG 25-54	figc	2,3	25	273	563	362		54,2 ODS			
020AA1479	ICLTG 25-67					35			760	526		67,3 ODS
020AA1480	ICLTG 35-54								✓	54,2 ODS		
020AA1481	ICLTG 35-67								✓	67,3 ODS		
020AA1482	ICLTG 35-80								✓	80,3 ODS		
020AA1483	ICLTG 50-54			2,5	50	323	1090	850		✓	54,2 ODS	
020AA1484	ICLTG 50-67											✓
020AA1485	ICLTG 70-80				70		1044	784		✓	80,3 ODS	
020AA1486	ICLTG 70-90								✓	89 ODS		
020AA1487	ICLTG 125-80-A			3,9	125	400	1197	893	✓	80,3 ODS		
020AA1488	ICLTG 125-80			4			485	868	535	✓	80,3 ODS	
020AA1489	ICLTG 125-90-A			3,9			400	1197	893	✓	89 ODS	
020AA1490	ICLTG 125-90									✓	89 ODS	
020AA1491	ICLTG 150-108			4	150	485	980	650	✓	108,4 ODS		
020AA1492	ICLTG 175-108				175		1111	785	✓	108,4 ODS		

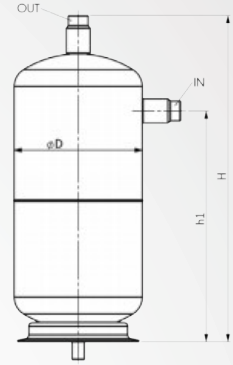


fig.a

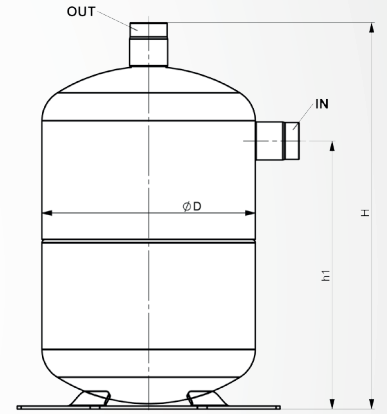


fig.b

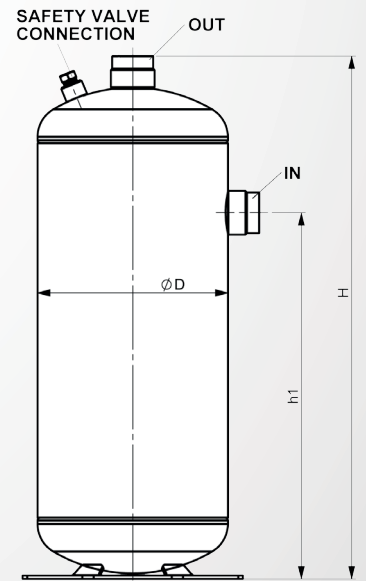


fig.c

TECHNICAL DATA TEKNİK BİLGİ

Code Kod	Type Tip	Draw. Şekil	First Oil Charge İlk Yağ Dolumu (Lt)	V	ø D	H	Safety Valve Emniyet Valfi	Connections Bağlantılar
								Inlet - Outlet Giriş - Çıkış
020AA1493	ICLTG-S 1,5-12 B	fig.a	0,6	1,5	101	217		12,8 ODS
020AA1494	ICLTG-S 1,5-16 B							16,1 ODS
020AA1495	ICLTG-S 1,5-18 B							19,1 ODS
020AA1496	ICLTG-S 2-16 B	0,8		2	125	203		16,1 ODS
020AA1497	ICLTG-S 2-18 B							19,1 ODS
020AA1498	ICLTG-S 3-22 B	0,8		3	125	288		22,5 ODS
020AA1499	ICLTG-S 3-28 B							28,7 ODS
020AA1500	ICLTG-S 4-22 B	1,1		4	152	267		22,5 ODS
020AA1501	ICLTG-S 4-28 B							28,7 ODS
020AA1502	ICLTG-S 6-22 B	1,2		6	168	281		22,5 ODS
020AA1503	ICLTG-S 6-28 B							28,7 ODS
020AA1504	ICLTG-S 6-35 B	1,2		8	195	314		35,2 ODS
020AA1505	ICLTG-S 8-28 B							28,7 ODS
020AA1506	ICLTG-S 8-35 B	1,5		10	219	335		35,2 ODS
020AA1507	ICLTG-S 8-42 B							42,1 ODS
020AA1508	ICLTG-S 10-28 B	1,5		12,5	219	405		42,1 ODS
020AA1509	ICLTG-S 10-35 B							35,2 ODS
020AA1510	ICLTG-S 10-42 B	1,5		15	250	370		42,1 ODS
020AA1511	ICLTG-S 12,5-42 B							42,1 ODS
020AA1512	ICLTG-S 12,5-54 B	2		20	250	434		54,2 ODS
020AA1513	ICLTG-S 15-42 B							42,1 ODS
020AA1514	ICLTG-S 15-54 B	2		20	250	434		54,2 ODS
020AA1515	ICLTG-S 20-28 B							28,7 ODS
020AA1516	ICLTG-S 20-35 B	2		20	250	434		35,2 ODS
020AA1517	ICLTG-S 20-42 B							42,1 ODS
020AA1518	ICLTG-S 20-54 B	2,3		25	273	518		54,2 ODS
020AA1519	ICLTG 25-54 B							54,2 ODS
020AA1520	ICLTG 25-67 B	2,3		35	273	706		67,3 ODS
020AA1521	ICLTG 35-54 B							54,2 ODS
020AA1522	ICLTG 35-67 B	2,3		35	273	706		67,3 ODS
020AA1523	ICLTG 35-80 B							80,3 ODS
020AA1524	ICLTG 50-54 B	2,5		50	323	1040		54,2 ODS
020AA1525	ICLTG 50-67 B							67,3 ODS
020AA1526	ICLTG 70-80 B	2,5		70	323	994		80,3 ODS
020AA1527	ICLTG 70-90 B							89 ODS
020AA1528	ICLTG 125-80-A B	3,9	125	400	485	814		80,3 ODS
020AA1529	ICLTG 125-80 B	4						80,3 ODS
020AA1530	ICLTG 125-90-A B	3,9	125	400	485	814		89 ODS
020AA1531	ICLTG 125-90 B	4						89 ODS
020AA1532	ICLTG 150-108 B	4	150	485	928			108,4 ODS
020AA1533	ICLTG 175-108 B	4	175	485	928			108,4 ODS

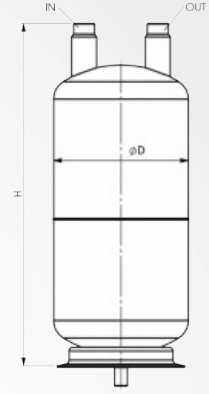


fig.a

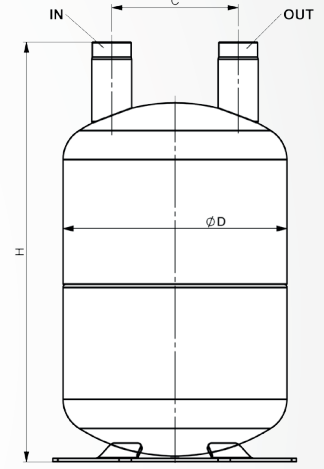


fig.b

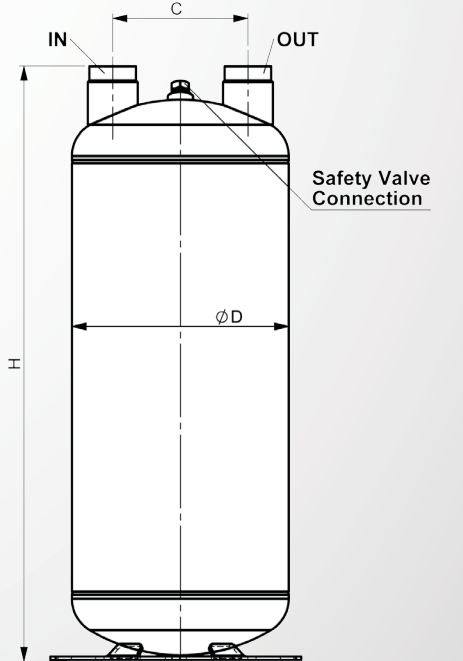


fig.c

TECHNICAL DATA									TEKNİK BİLGİ	
Code Kod	Type Tip	Draw. Şekil	First Oil Charge İlk Yağ Dolumu (Lt)	V	ø D	H	h1	Safety Valve Emniyet Valfi	Connections Bağlantılar	
									Liquid Inlet - Outlet Likit Giriş - Çıkış	Suction Inlet - Outlet Emiş Giriş - Çıkış
O20AA1534	ICLTAG 3-22	fig.a	0,8	3	125	287	232		12,8 ODS	22,5 ODS
O20AA1535	ICLTAG 6-28		1,2	6	168	281	213		16,1 ODS	28,7 ODS
O20AA1536	ICLTAG 9-35			9		482	360			35,2 ODS
O20AA1537	ICLTAG 9-42			485		360		42,1 ODS		
O20AA1538	ICLTAG 15-54		1,5	15	219	474	337		22,5 ODS	54,2 ODS
O20AA1539	ICLTAG 20-54			20		624	487			
O20AA1540	ICLTAG 35-66		2,3	35	273	706	526	✓	35,2 ODS	67,3 ODS
O20AA1541	ICLTAG 70-80		2,5	70	323	994	784	✓		
O20AA1542	ICLTAG 100-90		4	100	485	595	355	✓		
O20AA1543	ICLTAG 125-80A		3,9	125	400	1300	920	✓		
O20AA1544	ICLTAG 125-80		4		485	824	591	✓		

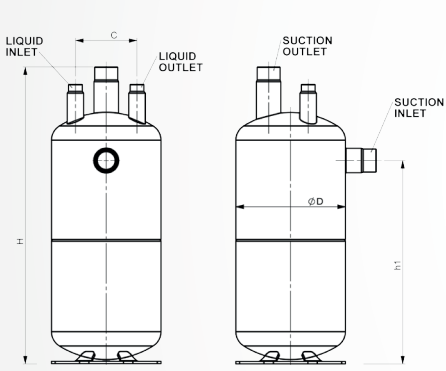


fig.a

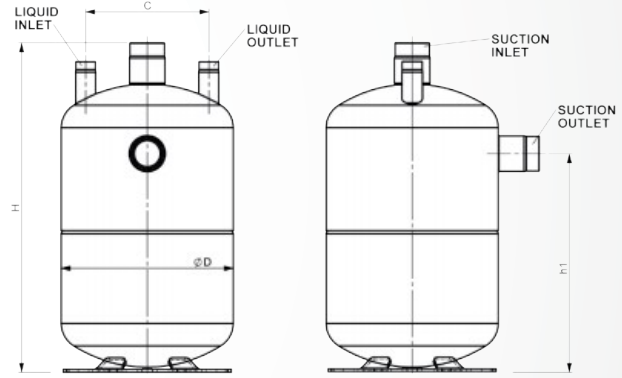


fig.b

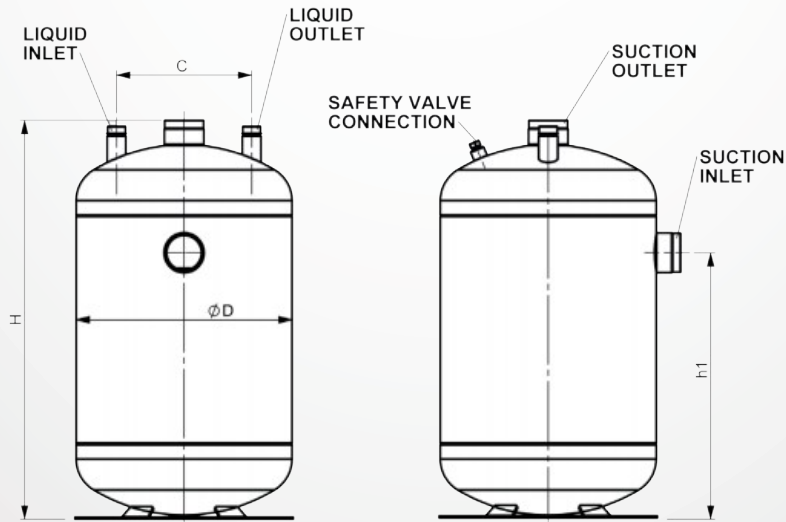
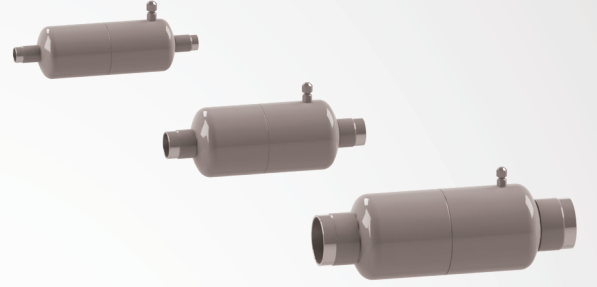


fig.c

SUCTION FILTERS

EMİŞ HATTI FİLTRELERİ



Intended Use:

SUCTION FILTERS (ICFEG SERIES)

The function of suction filter is to protect the compressor against unwanted particules like burs, solder spots etc. Suction filters do not let any particules to go in to the compressor, it filters all mechanical particules. It has also a 1/4" SAE fitting to analyse the suction pressure.

Technical Specification:

Working Pressure : 33 Bar

Working Temperature : -10 / 120 °C

Pressure Drop : ΔP 0,18 Bar

Kullanım Alanı:

EMİŞ HATTI FİLTRESİ (ICFEG SERİSİ)

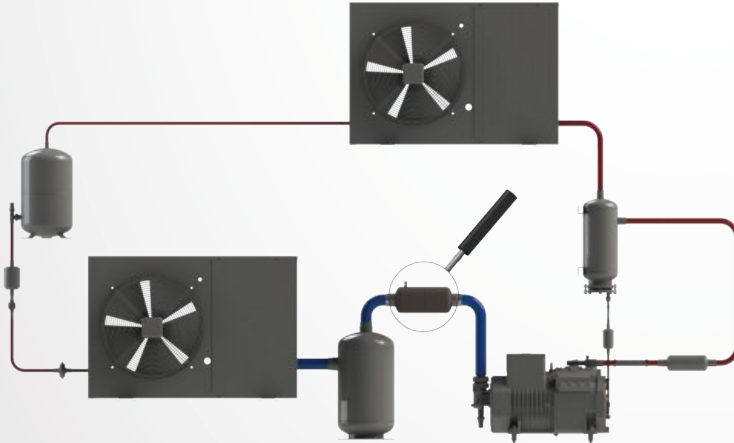
Emiş hattından gelebilecek olan olası katı partikülleri filtre etmek için kullanılırlar. Üzerinde ölçüm alabileceğiniz 1/4" SAE inyon bulunmaktadır.

Teknik Özellikler:

Çalışma Basıncı : 33 Bar

Çalışma Sıcaklığı : -10 / 120 °C

Basınç Düşmesi : ΔP 0,18 Bar



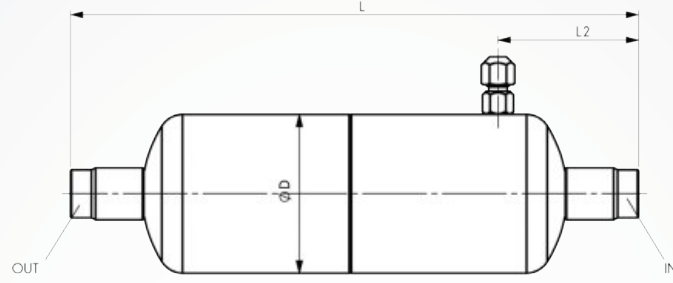


fig.a

TECHNICAL DATA

TEKNİK BİLGİ

Code Kod	Type Tip	Draw. Şekil	V	ø D	L	L ₂	Connections Bağlantılar	
							Inlet Giriş	Outlet Çıkış
020AA1545	ICFEG 76-16	fig.a	0,75	76	261	62	16,1 ODS	
020AA1546	ICFEG 76-22		0,75		261	67	22,5 ODS	
020AA1547	ICFEG 76-28		0,75		279	71	28,7 ODS	
020AA1548	ICFEG 101-35		1,5	101	292	83	35,2 ODS	
020AA1549	ICFEG 101-42		1,5		300	87	42,1 ODS	
020AA1550	ICFEG 125-54		2,9	125	364	96	54,2 ODS	
020AA1551	ICFEG 125-67		2,9		376	102	67,3 ODS	

OIL SEPARATORS

YAĞ AYIRICILAR



Intended Use:

OIL SEPERATORS (ICYAG SERIES)

In the liquid line of the system oil separators are used at the outlet of the compressors. Oil seperators are used to separate the oil that is pressurised and pushed out with the refrigerant. Oil seperators are recovering the pushed oil and feeds the compressor with the same oil. Oil seperators have to be installed vertically and before take in to operation oil seperators have to be filled with the required amount of oil mentioned in the catalogue.

Technical Specification:

Working Pressure : 33 Bar

Working Temperature : -10 /120 °C

Kullanım Alanı:

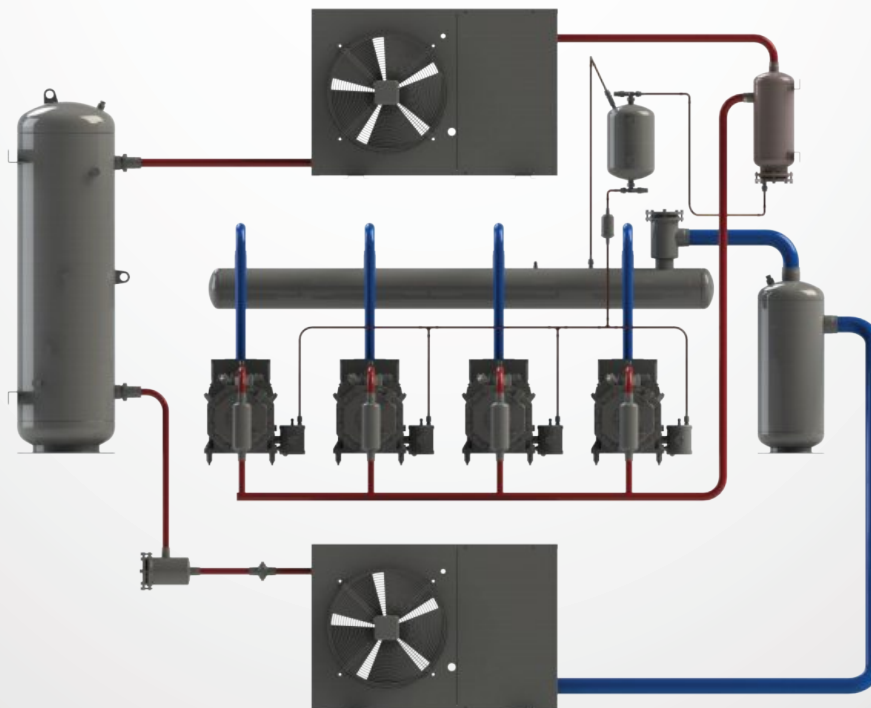
YAĞ AYIRICI (ICYAG SERİSİ)

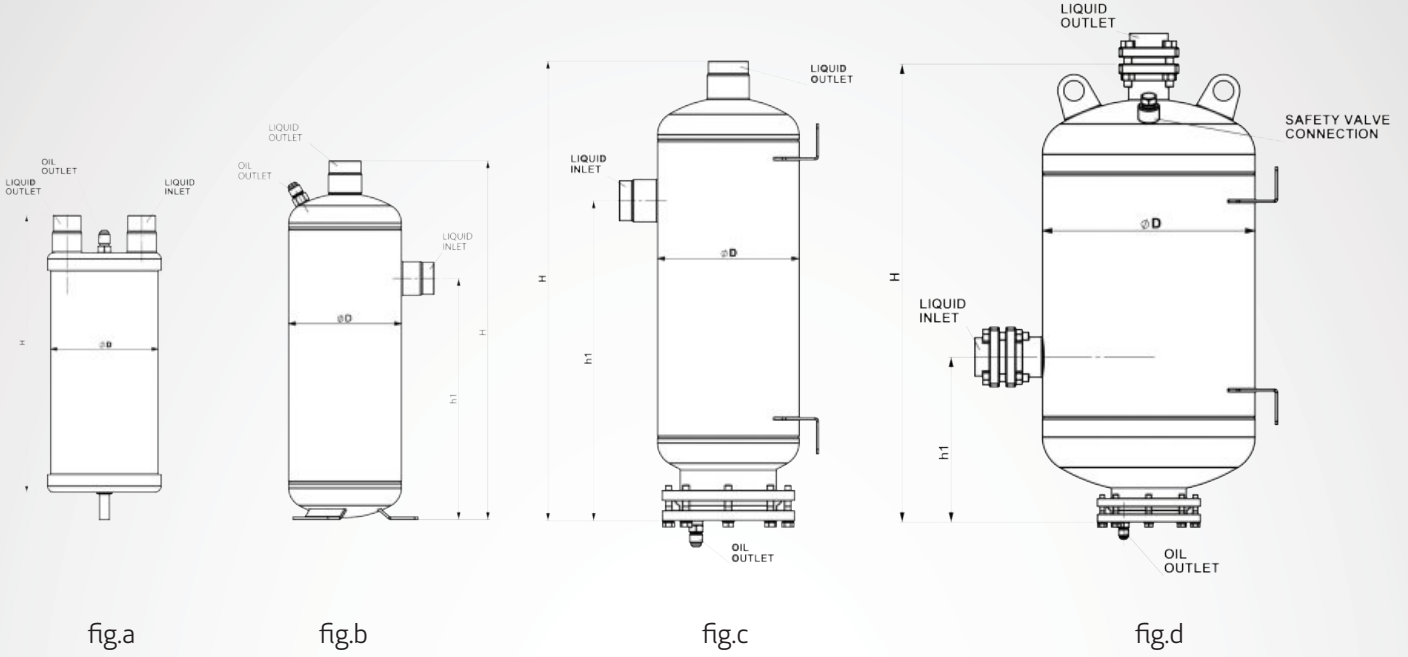
Basınç hattında kompresör çıkışında soğutucu akışkanın yüksek basınçta gaz halinde çıkarken beraberinde çıkan kompresör yağının gaz halindeki soğutucu akışkandan yağı ayırmaya ve yağın kompresöre geri kazanılmasına yarar. Ürünlerin montajı dik olarak gerçekleştirilmelidir. Montaj esnasında devreye almadan önce katalog değerlerine göre içerisine yağ koyularak devreye alınmalıdır.

Teknik Özellikler:

Çalışma Basıncı : 33 Bar

Çalışma Sıcaklığı : -10 /120 °C





TECHNICAL DATA										TEKNİK BİLGİ
Code Kod	Type Tip	Draw. Şekil	V	V (m ³ /h)	First Oil Charge İlk Yağ Dolumu (Lt)	ø D	H	h1	Connections Bağlantılar	
									Inlet - Outlet Giriş - Çıkış	Oil Outlet Yağ Çıkışı
020AA1552	ICYAG 1A-12	fig.a	1,6	10	0,7	101	255	-	12,8 ODS	1/4" SAE
020AA1553	ICYAG 1A-16			17			255	-	16,1 ODS	
020AA1554	ICYAG 1A-18			22			260	-	19,1 ODS	
020AA1555	ICYAG 1A-22			30			260	-	22,5 ODS	
020AA1556	ICYAG 1B-28	fig.b	5,2	35	0,9	140	443	297	28,7 ODS	3/8" SAE
020AA1557	ICYAG 1B-35			45			443	297	35,2 ODS	
020AA1558	ICYAG 1B-42			70			448	297	42,1 ODS	
020AA1559	ICYAG 1B-54			90			444	287	54,2 ODS	
020AA1560	ICYAG 2-22	fig.c	8	55	1,2	168	484	343	22,5 ODS	
020AA1561	ICYAG 2-28			65			489	343	28,7 ODS	
020AA1562	ICYAG 2-35			80			489	343	35,2 ODS	
020AA1563	ICYAG 2-42			9			543	378	42,1 ODS	
020AA1564	ICYAG 2-54	16,5	583	390	54,2 ODS	219	440	67,3 ODS		
020AA1565	ICYAG 2-67	18,5	649	435	80,3 ODS					
020AA1566	ICYAG 2-80	150	649	435	80,3 ODS					
020AA1567	ICYAG 3-42	fig.d	41,5	130	2				323	
020AA1568	ICYAG 3-54			160		694	250	FL 54		
020AA1569	ICYAG 3-67			210		694	250	FL 67		
020AA1570	ICYAG 3-80			250		700	250	FL 80		
020AA1571	ICYAG 3-90			120		900	328	FL 90		
020AA1572	ICYAG 3-108			155		1100	328	FL 108		

OIL SEPARATORS

YAĞ AYIRICILAR



Intended Use:

OIL SEPERATORS (ICYAG SERIES)

In the liquid line of the system oil seperators are used at the outlet of the compressors. Oil seperators are used to seperate the oil that is pressurised and pushed out with the refrigerant. Oil seperators are recovering the pushed oil and feeds the compressor with the same oil. Oil seperators have to be installed vertically and before take in to operation oil seperators have to be filled with the required amount of oil mensioned in the catalogue.

Technical Specification:

Working Pressure : 33 Bar

Working Temperature : -10 / 120 °C

Kullanım Alanı:

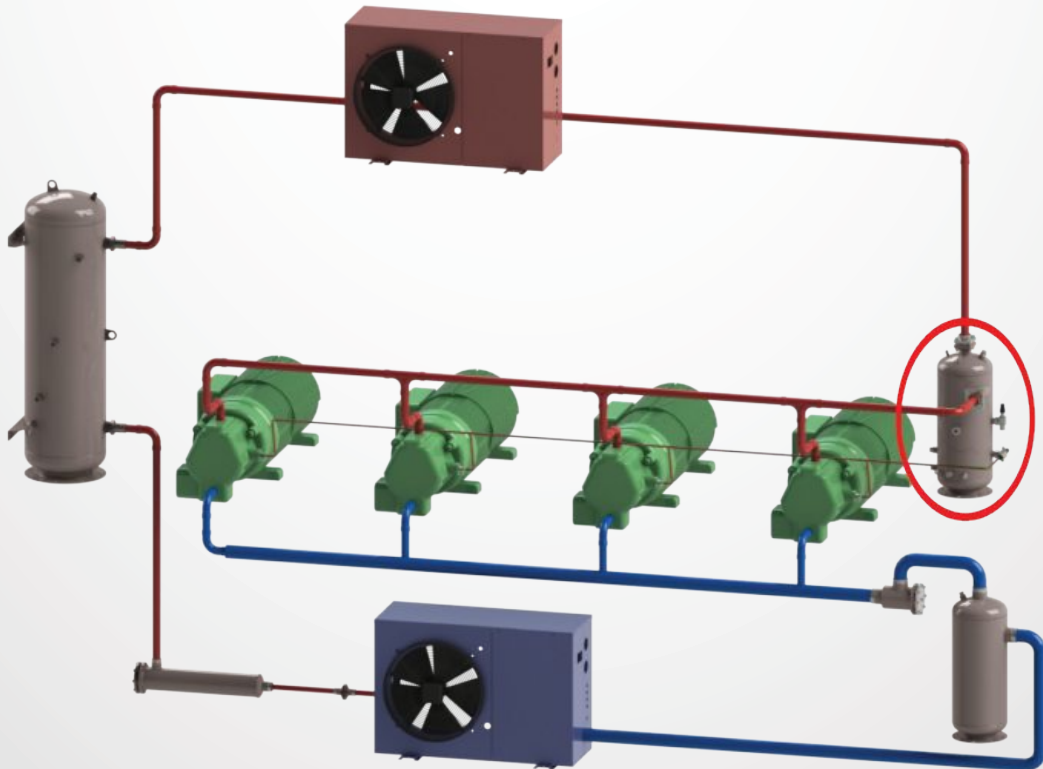
YAĞ AYIRICI (ICYAG SERİSİ)

Basınç hattında kompresör çıkışında soğutucu akışkanın yüksek basınçta gaz halinde çıkarken beraberinde çıkan kompresör yağının gaz halindeki soğutucu akışkandan yağı ayırmaya ve yağın kompresöre geri kazanılmasına yarar. Ürünlerin montajı dik olarak gerçekleştirilmelidir. Montaj esnasında devreye almadan önce katalog değerlerine göre içerisine yağ koyularak devreye alınmalıdır.

Teknik Özellikler:

Çalışma Basıncı : 33 Bar

Çalışma Sıcaklığı : -10 / 120 °C



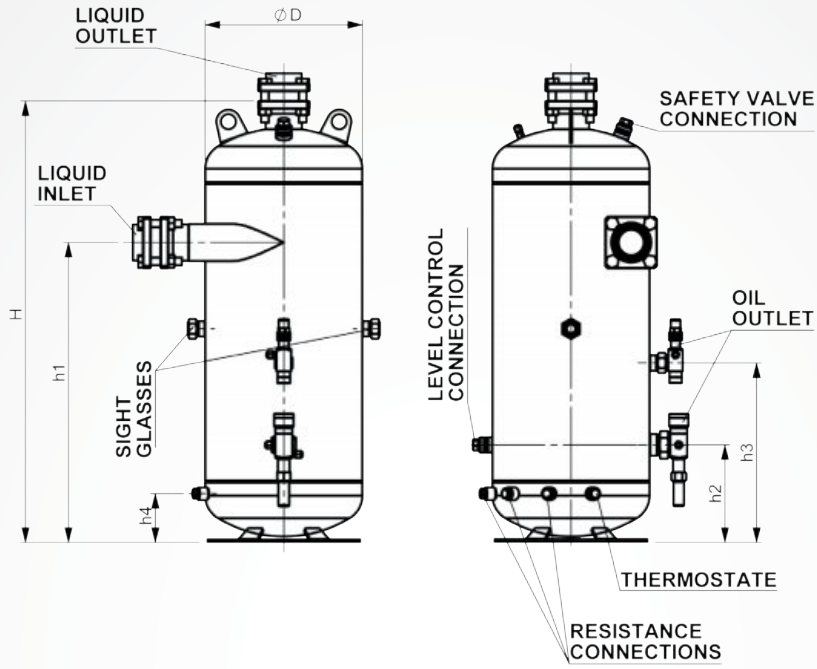


fig.a

TECHNICAL DATA													TEKNİK BİLGİ				
Code Kod	Type Tip	Draw. Şekil	V	m ³ /h	First Oil Charge İlk Yağ Dolumu (Lt)	ø D	H	h1	h2	h3	h4	h5	Connections Bağlantılar				
													Inlet - Outlet Giriş - Çıkış	Oil Outlet Yağ Çıkışı	Heating Connection Isıtma Bağlantısı	Thermostat Connection Termostat Bağlantısı	Oil Outlet Rotalock Valve Yağ Çıkış Rotalog Vana
020AA1573	ICYAG 4-54	fig.a	35	60-200	5	273	750	530	200	370	120	-	FL 54	1"	3/8" NPT	3/8" NPT	RV 1 1/4" SAE - 28,7 ODS
020AA1574	ICYAG 4-67		60	150-400	8	323	950	615		100	-	FL 67	1"	RV 1 3/4" SAE - 35,2 ODS			
020AA1575	ICYAG 4-80		70	300-550	10	485	1050	765	470	100	-	FL 80	1 1/4"	RV 1 3/4" SAE - 35,2 ODS			
020AA1576	ICYAG 4-90		190	350-600			1270	920	263	570	120	-		FL 90			RV 2 1/4" SAE - 42,1 ODS
020AA1577	ICYAG 4-108		243	400-700	1570	1220	570	120	-	FL 108	RV 2 1/4" SAE - 54,2 ODS						

OIL SEPARATORS WITH COALESENT FILTER

KOALESENT FİLTRELİ YAĞ AYIRICILI YAĞ DEPOLARI



Intended Use:

OIL SEPARATORS WITH COALESENT FILTER (ICYAG SERIES)

ICYAG 5 series hermetic products has max 33 bar working pressure. They separate the oil from the fluid by coalescent filter inside. With 1/4" SAE oil discharge connection this oil separator has ability to recover the oil up to %99. Thanks to coalescent filter to protect the system against the mechanical particules and to keep the system clean as well.

ICYAG 6 series products has max 33 bar working pressure. They separate the oil from the fluid by coalescent filter inside. With 3/8" SAE oil discharge connection this oil separator has ability to recover the oil up to %99. Thanks to replaceable coalescent filter to protect the system against the mechanical particules and to keep the system clean as well.

ICYAG 7 series products has no float discharge system inside and has max 46 bar working pressure. They separate the oil from the fluid by coalescent filter inside. With different size of rotalock valves at the oil discharge this oil separator has ability to recover the oil up to %99. Thanks to replaceable coalescent filter to protect the system against the mechanical particules and to keep the system clean as well. If you need, you can open it and clean the oil return system and float ball. You have to leave 20cm of free space under the product for detaching and attaching the bottom flange.

OIL SEPARATOR & OIL RECEIVER WITH COALESENT FILTER (ICYADG-C SERIES)

These seperators are mainly used in high pressure systems. This oil separator is equipped with a coalescent filter and without float ball inside. At the bottom it has enough place to store the oil and by that way it also acts as a oil receiver. The float ball system sometimes fails in high pressure systems. In this seperator & receiver combination the oil goes out with the pressure of the liquid side and sucked from the botttom.

COALESENT

All gas, oil and other particles that are coming from the line, all filtered and separated by our coalescing filter. More than 99,9 % of oil is separated and all particles are captured as well.

Note: The coalescence element has to be changed at a pressure drop > 0,7 Bar

Technical Specification:

Working Pressure : 33 Bar

Working Temperature : -10 / 120 °

Kullanım Alanı:

FİLTRELİ YAĞ AYIRICI (ICYAG SERİSİ)

YAG 5 serisi ürünler max 33 bar çalışma basıncına sahip sistemlerde yağ ayırma işlemini koalesent filtre yardımı ile gerçekleştiren hermetic tip yağ ayırıcılardır. 1/4" SAE yağ tahliye bağlantısı ile %99'un üzerinde oranlarda yağ geri kazanımı sağlamakta ve aynı zamandan mekanik partiküllere karşı da filteleme yaparak sistemin temiz kalmasını sağlamaktadır.

YAG 6 serisi ürünler max 33 bar çalışma basıncına sahip sistemlerde yağ ayırma işlemini koalesent filtre yardımı ile gerçekleştiren flanşlı tip filtresi değiştirilebilir yağ ayırıcılardır. 3/8" SAE yağ tahliye bağlantısı ile %99'un üzerinde oranlarda yağ geri kazanımı sağlamakta ve aynı zamandan mekanik partiküllere karşı da filteleme yaparak sistemin temiz kalmasını sağlamaktadır.

YAG 7 serisi ürünler şamandıralı yağ tahliye sistemi bulundurmayan max 46 bar çalışma basıncına sahip sistemlerde yağ ayırma işlemini koalesent filtre yardımı ile gerçekleştiren flanşlı tip filtresi değiştirilebilir yağ ayırıcılardır. Çeşitli ölçülerde rotalog vanalar vasıtası ile %99'un üzerinde oranlarda yağ geri kazanımı sağlamakta ve aynı zamandan mekanik partiküllere karşı da filteleme yaparak sistemin temiz kalmasını sağlamaktadır.

KOALESENT FİLTRELİ YAĞ AYIRICILI YAĞ DEPOSU (ICYADG-C SERİSİ)

Yüksek basınçlı sistemlerde kullanılan şamandırasız helisel olarak yağ ayırma mekanizmasına sahip bir yağ ayırıcı ve alt kısmında da bir yağ deposu bulunmaktadır. Basit olarak yağ ayırıcı ve yağ deposunun tek gövdede toplanmış halidir. Yüksek basınçlı sistemlerde sorun teşkil eden şamandıralı yağ mekanizmaları yerine yüksek basınç yardımı ile dipteki emiş borusunun bağlı olduğu çıkıştan yağ tahliyesi yapılır.

KOALESENT

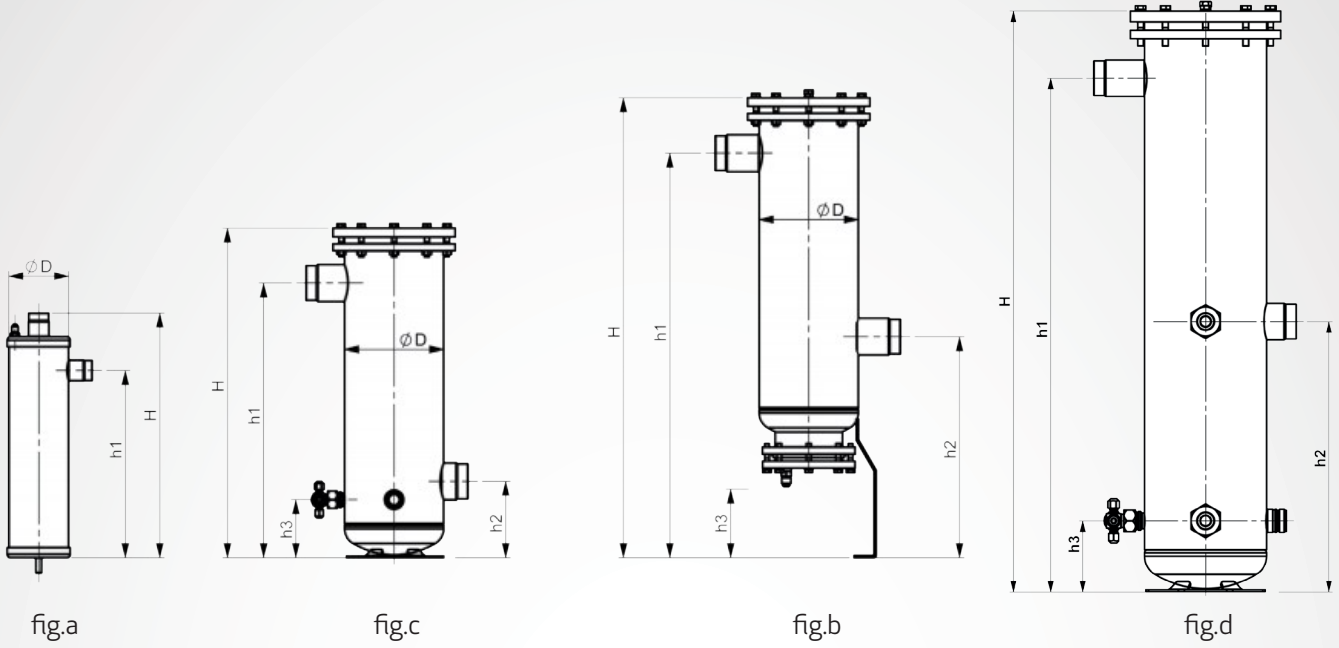
Sistemden gelen tüm, yağ, gaz ve partiküller Koalesent filtreden geçerek filtrelenir ve ayrıştırılır. Bu esnada %99,9 kadar yağ geri kazanılmış olur.

Not: 0,7 Bar üzerindeki basınç düşümü gözlemlendiğinde koalesent filtreyi değiştiriniz.

Teknik Özellikler:

Çalışma Basıncı : 33 Bar

Çalışma Sıcaklığı : -10 / 120 °C



TECHNICAL DATA

TEKNİK BİLGİ

Code Kod	Type Tip	Draw. Şekil	First Oil Charge İlk Yağ Dolumu (Lt)	m ³ /h	ø D	H	h1	h2	h3	Connections Bağlantılar		
										Inlet - Outlet Giriş - Çıkış	Oil Outlet Yağ Çıkışı	Oil Inlet Yağ Girişi
020AA1584	ICYAG 5-16	fig.a	0,7	30	101	303	216	-	-	16,1 ODS		
020AA1585	ICYAG 5-22			50		308	216	-	-	22,5 ODS		
020AA1586	ICYAG 5-28			80		413	316	-	-	28,7 ODS		
020AA1587	ICYAG 5-35			110		413	316	-	-	35,2 ODS		
020AA1588	ICYAG 6-16	fig.b	0,9	30	114	617	526	213	46	16,1 ODS		
020AA1589	ICYAG 6-22			50		617	526	213	46	22,5 ODS		
020AA1590	ICYAG 6-28			80		617	526	213	46	28,7 ODS		
020AA1591	ICYAG 6-35			110		617	526	213	46	35,2 ODS		
020AA1592	ICYAG 6-42		1,2	190	260	795	682	373	116	42,1 ODS		
020AA1593	ICYAG 6-54		1,5	450	219	828	704	355	117	67,3 ODS		
020AA1595	ICYAG 6-80		2	750	323	886	745	393	117	80,3 ODS		
020AA1596	ICYAG 7-16		fig.c	0,9	30	114	402	317	105	85	16,1 ODS	
020AA1597	ICYAG 7-22	50			402		317	105	85	22,5 ODS		
020AA1598	ICYAG 7-28	80			510		419	106	85	28,7 ODS		
020AA1599	ICYAG 7-35	110			510		419	106	85	35,2 ODS		
020AA1600	ICYAG 7-42	1,2		190	260	554	433	123	98	42,1 ODS		
020AA1601	ICYAG 7-54	1,5		450	219	575	464	129	98	54,2 ODS		
020AA1602	ICYAG 7-67	2		750	323	629	505	162	125	67,3 ODS		
020AA1603	ICYAG 7-80	2		750	323	697	556	204	169	80,3 ODS		
020AA1604	ICYADG-C 3-16	fig.d	0,9	30	114	645	560	348	85	16,1 ODS		
020AA1605	ICYADG-C 3-22			50		645	560	348	85	22,5 ODS		
020AA1606	ICYADG-C 4-28			80		860	770	457	85	28,7 ODS		
020AA1607	ICYADG-C 4-35			110		860	770	457	85	35,2 ODS		
020AA1608	ICYADG-C 7-42		1,2	190	260	818	707	372	98	42,1 ODS		
020AA1609	ICYADG-C 7-54		1,5	450	219	818	707	372	98	54,2 ODS		
020AA1610	ICYADG-C 8-67		2	750	323	720	592	258	125	67,3 ODS		
020AA1611	ICYADG-C 25-80		2	750	323	867	726	382	169	80,3 ODS		

OIL SEPARATORS WITH OIL RECEIVER

YAĞ AYIRICILI YAĞ DEPOLARI



Intended Use:

OIL SEPERATOR WITH OIL RECEIVER (ICYADG SERIES)

These seperators are mainly used in high pressure systems. This oil seperator is a kind of helical seperator without float ball inside and at the bottom it has enough place to store the oil and by that way it also acts as an oil receiver. The float ball system sometimes fails in high pressure systems. In this seperator the oil return is equipped with a rotalock fitting and with a dipping pipe attached to it with the pressure of the system oil is pushed out.

Technical Specification:

Working Pressure : 33 Bar

Working Temperature : -10 / 120 °C

Kullanım Alanı:

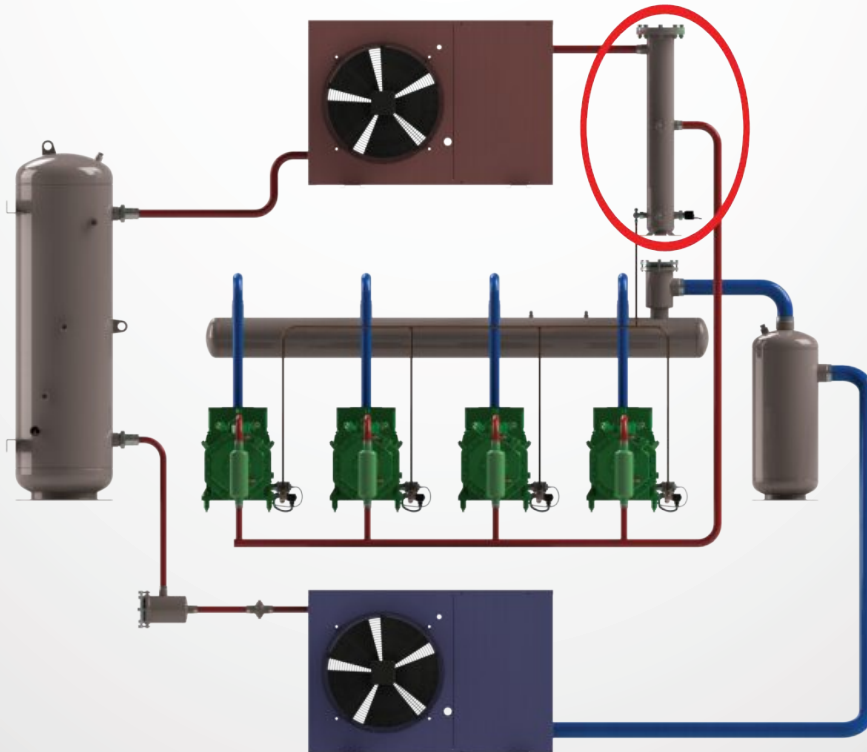
YAĞ AYIRICILI YAĞ DEPOSU (ICYADG SERİSİ)

Yüksek basınçlı sistemlerde kullanılan şamandırasız helisel olarak yağ ayırma mekanizmasına sahip bir yağ ayırıcı ve alt kısımda da bir yağ deposu bulunmaktadır. Basit olarak yağ ayırıcı ve yağ deposunun tek gövdede toplanmış halidir. Yüksek basınçlı sistemlerde sorun teşkil eden şamandıralı yağ mekanizmaları yerine yüksek basınç yardımı ile dipteki emiş borusunun bağlı olduğu çıkıştan yağ tahliyesi yapılır.

Teknik Özellikler:

Çalışma Basıncı : 33 Bar

Çalışma Sıcaklığı : -10 / 120 °C



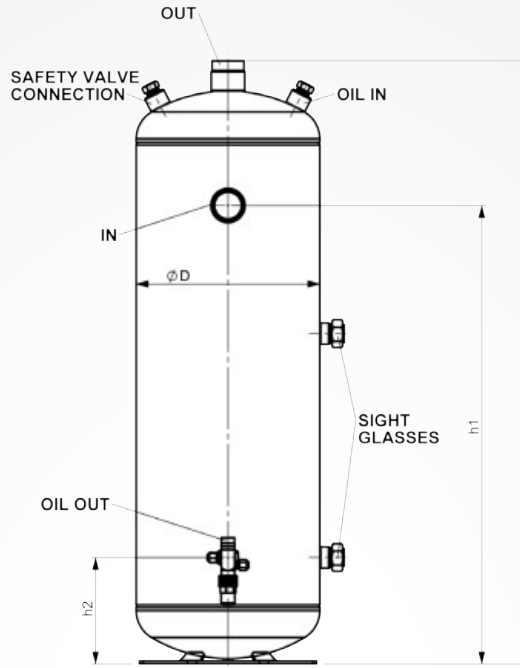


fig.a

TECHNICAL DATA

TEKNİK BİLGİ

Code Kod	Type Tip	Draw. Şekil	Oil Capacity Yağ Kapasite- si	V (m ³ /h)	First Oil Charge lik Yağ Dolumu (Lt)	ø D	H	h1	h2	V1	V2	Connections Bağlantılar	
												Inlet - Outlet Giriş - Çıkış	Oil Outlet Rotalock Valve Yağ Çıkışı Rotalog Vana
020AA1612	ICYADG 4-16	fig. a	4	20	0,9	140	580	445	120	1,4	3,4	16,1 ODS	
020AA1613	ICYADG 4-22			36			585					22,5 ODS	
020AA1614	ICYADG 4-28			45			590					28,7 ODS	
020AA1615	ICYADG 7-22		7	60	1,2	168	685	528	126	2,1	7,1	22,5 ODS	
020AA1616	ICYADG 7-28			80			690					28,7 ODS	
020AA1617	ICYADG 12-28		12	95	1,5	219	690	510	144	4,2	10,8	28,7 ODS	
020AA1618	ICYADG 12-35			115			695					35,2 ODS	
020AA1619	ICYADG 12-42			190			890					42,1 ODS	
020AA1620	ICYADG 20-35		20	180	1,7	273	895	700	144	4,2	17,5	35,2 ODS	
020AA1621	ICYADG 20-42			210			895					42,1 ODS	
020AA1622	ICYADG 20-54			250			895					54,2 ODS	
020AA1623	ICYADG 30-42		30	230	1,7	273	895	680	158	6,8	25	42,1 ODS	
020AA1624	ICYADG 30-54			300			895					54,2 ODS	
020AA1625	ICYADG 30-67			450			903					67,3 ODS	
020AA1626	ICYADG 50-54		50	400	2	323	945	690	227	14,2	35	54,2 ODS	
020AA1627	ICYADG 50-67			550			953					67,3 ODS	
020AA1628	ICYADG 50-80	700		954			80,3 ODS						

OIL RECEIVERS

YAĞ DEPOLARI



Intended Use:

OIL RECEIVER (ICYRG SERIES)

In multi compressor systems, oil receivers are used to stock the excessive oil in the system and when needed the system can be feed with the oil inside. Oil can be filled up to 100%. If requested level control connection to lower level and upper level can be attached to the product. Oil receivers have to be fixed vertically.

Technical Specification:

Working Pressure : 33 Bar

Working Temperature : -10 /120 °C

Kullanım Alanı:

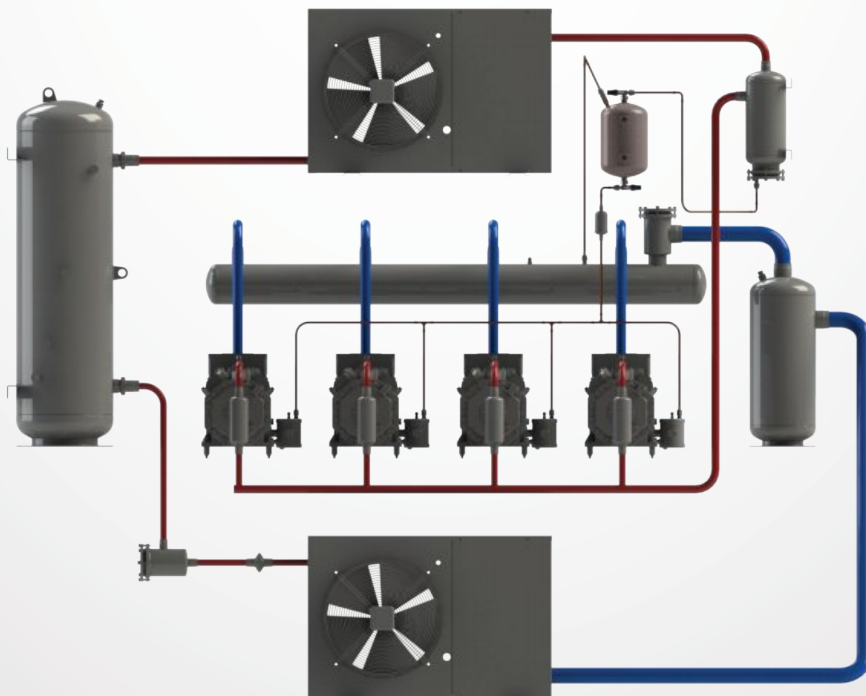
YAĞ DEPOSU (ICYRG SERİSİ)

Birden fazla kompresör kullanılan sistemlerdeki yağ fazlasını depolamak ve yine aynı şekilde gerek duyulduğunda diğer yağ ekipmanları ile bu yağı kompresöre iletmeye yarar. Yağ doluluğu %100 seviyesine ulaşabilir. İstenmesi halinde opsiyonel olarak alt veya üst seviyelere seviye kontrol cihazı bağlantıları yerleştirilebilir. Ürün dik olarak monte edilmelidir.

Teknik Özellikler:

Çalışma Basıncı : 33 Bar

Çalışma Sıcaklığı : -10 /120 °C



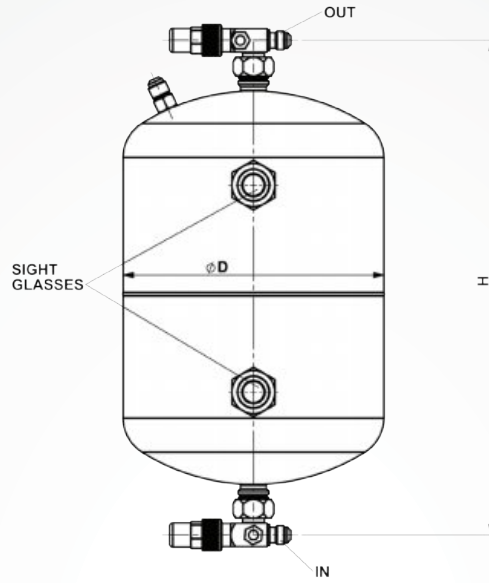


fig.a

TECHNICAL DATA

TEKNİK BİLGİ

Code Kod	Type Tip	Draw. Şekil	V	ø D	H	Connections Bağlantılar			
						Inlet Giriş	Outlet Çıkış	Sight Glass Gözetleme Camı	Oil Check Valve Yağ Çek Valfi
020AA1629	ICYRG-S 4	fig.a	4	152	346	RV 3/8" SAE		2 pcs штук	3/8" SAE
020AA1630	ICYRG-S 6		6	168	360				
020AA1631	ICYRG-S 8		8	195	393				
020AA1632	ICYRG-S 10		10	219	415				
020AA1633	ICYRG-S 12,5		12,5	219	485				
020AA1634	ICYRG-S 15		15	250	450				
020AA1635	ICYRG-S 20		20	250	513				
020AA1636	ICYRG 30		30	219	990				

OIL FILTERS

YAĞ FİLTRELERİ



Intended Use:

OIL FILTERS (ICFYG SERIES)

The main function of oil filters is to filter unwanted particules in the oil system like burrs and welding spots and to protect the compressor against such mechanical components.

Technical Specification:

Working Pressure : 33 Bar

Working Temperature : -10 / 120 °C

Particles larger than 0.05 mm

Kullanım Alanı:

YAĞ FİLTRESİ (ICFYG SERİSİ)

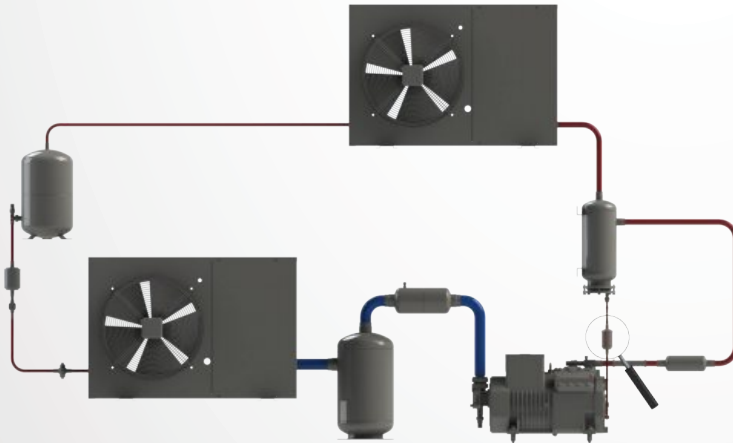
Genel amacı kompresöre geri dönecek olan yağın içindeki olası metal partikülleri filtre ederek kompresöre ulaşmasını engellemektir.

Teknik Özellikler:

Çalışma Basıncı : 33 Bar

Çalışma Sıcaklığı : -10 / 120 °C

0,05 mm den büyük parçacıklar



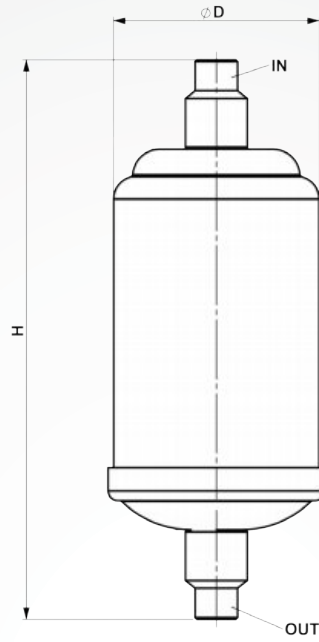


fig.a

TECHNICAL DATA						TEKNİK BİLGİ	
Code Kod	Type Tip	Draw. Şekil	V	H	ϕD	Connections Bağlantılar	
						Inlet Giriş	Outlet Çıkış
020AA1637	ICFYG 82-1/4"	fig.a	0,2	145	53	1/4" SAE	
020AA1638	ICFYG 83-3/8"			154		3/8" SAE	
020AA1639	ICFYG 84-1/2"			162		1/2" SAE	
020AA1640	ICFYG 82-S-6			144		6,4 ODS	
020AA1641	ICFYG 83-S-10			150		9,6 ODS	
020AA1642	ICFYG 84-S-12			158		12,8 ODS	
020AA1643	ICFYG 162-1/4"		0,5	157	78	1/4" SAE	
020AA1644	ICFYG 163-3/8"			166		3/8" SAE	
020AA1645	ICFYG 164-1/2"			174		1/2" SAE	
020AA1646	ICFYG 162-S-6			156		6,4 ODS	
020AA1647	ICFYG 163-S-10			162		9,6 ODS	
020AA1648	ICFYG 164-S-12			170		12,8 ODS	

OIL CHECK VALVE

YAĞ DEPOSU ÇEK VALFİ



Intended Use:

OIL CHECK VALVE (ICVCY G SERIES)

These oil check valves are attached to the oil receivers and they are produced with 3/8" SAE connections. The function of the oil check valve is to transfer the overpressure to the suction side and by that way enabling the required pressure difference inside the oil receiver.

Technical Specification:

Working Pressure : 33 Bar

Working Temperature : -10 / 120 °C

Kullanım Alanı:

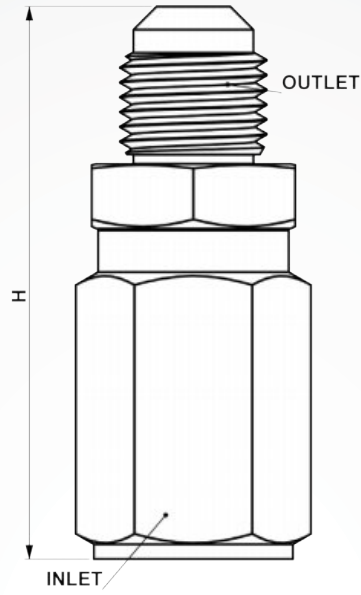
YAĞ HATTI KONTROL VANASI (ICVCYG SERİSİ)

Yağ deposuna monte edilen ürünümüz 3/8" SAE bağlantılı imal edilmektedir. Amacı yağ deposunda oluşan fazla basıncı emiş hattına aktarmak ve bu sayede istenilen basınç farkını sağlamaktır.

Teknik Özellikler:

Çalışma Basıncı : 33 Bar

Çalışma Sıcaklığı : -10 / 120 °C

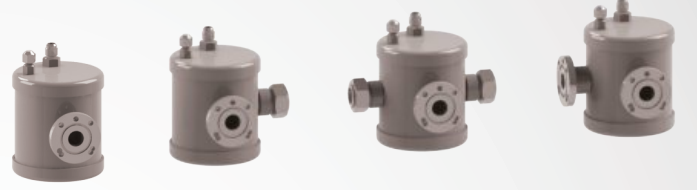


figa

TECHNICAL DATA				TEKNİK BİLGİ		
Code Kod	Type Tip	Draw. Şekil	H	Connections Bağlantılar		Differential Pressure Fark Basıncı
				Inlet Giriş	Outlet Çıkış	
020AA1649	ICVCYG-0,7	figa	60	3/8" SAE	3/8" SAE	0,7
020AA1650	ICVCYG-1					1
020AA1651	ICVCYG-1,5					1,5
020AA1652	ICVCYG-2,5					2,5
020AA1653	ICVCYG-3					3

MECHANICAL OIL REGULATORS

MEKANİK YAĞ REGÜLATÖRLERİ



Intended Use:

MECHANICAL OIL REGULATORS (ICYSRG SERIES)

Mechanical oil regulators used to feed oil to the compressors when needed. It works with a float ball and in standard the inlet is 3/8" SAE for these regulators. In standard, mechanical oil regulators are produced with 3 - 4 hole for compressor connection. You can also choose the correct adapter for other compressors from our catalogue.

Technical Specification:

Working Pressure : 33 Bar
 Working Temperature : -10 / 120 °C
 Max. Differential Pressure : 4 Bar

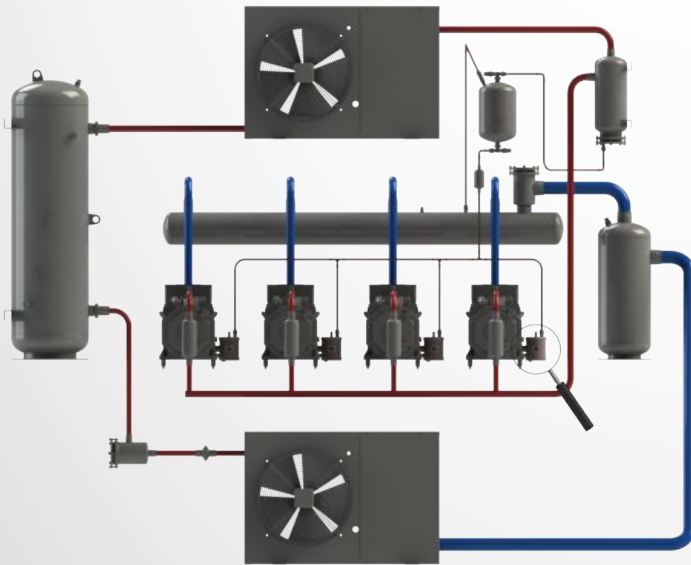
Kullanım Alanı:

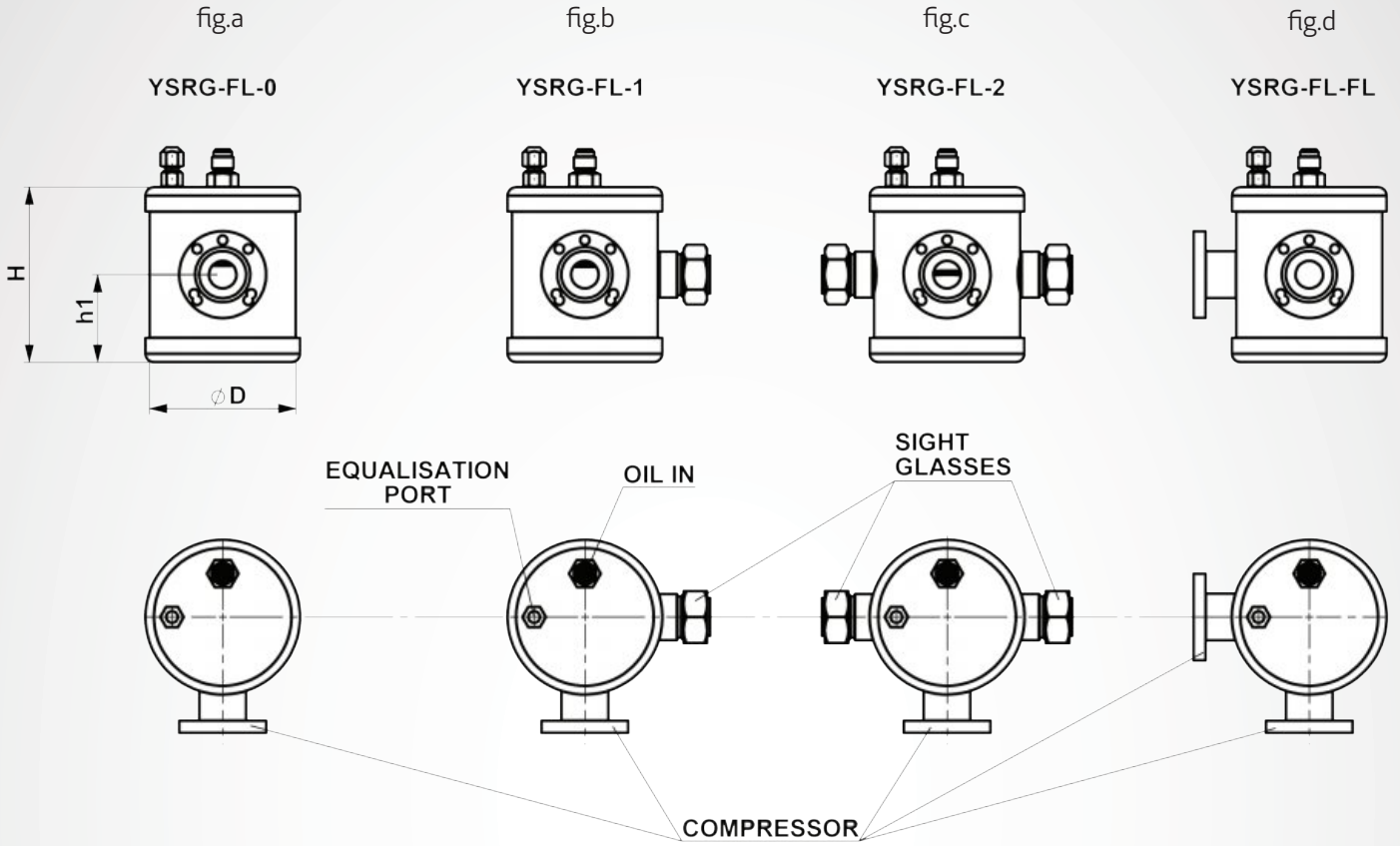
YAĞ REGÜLATÖRÜ (ICYSRG SERİSİ)

Yağ regülâtörleri kompresördeki yağ seviyesinin azalması durumunda mekanik olarak şamandıra sistemi vasıtası ile bunu algılayıp kompresöre yağ beslemeye yarayan ekipmandır. Yağ giriş bağlantısı mekanik modellerin tamında 3/8" SAE dir. Standart olarak 3 - 4 delikli kompresörle uygun imal edilmektedirler. Farklı kompresörler için ise katalogumuzdan uygun adaptörleri seçebilirsiniz.

Teknik Özellikler:

Çalışma Basıncı : 33 Bar
 Çalışma Sıcaklığı : -10 / 120 °C
 Max. Fark Basıncı : 4 Bar





TECHNICAL DATA

TEKNİK BİLGİ

Code Kod	Type Tip	Draw. Şekil	Sight Glass Gözetleme Camı	ø D	H	h1	Connections Bağlantılar			
							Oil Connection Yağ Bağlantısı	Equalization Connection Dengeleme Bağlantısı	Outlet Flange Çıkış Flanşı	Float Ball Position Şamandıra Topu Konumu
020AA1654	ICYSRG-FL-0	fig.a	0	101	121	60,5	3/8" SAE	1/4" SAE	ø6,5 mm holes for 3 & 4 hole flange connections 3 & 4 delikli flanş bağlantıları için ø6,5 mm delikler	Fixed at center Merkezde Sabit
020AA1655	ICYSRG-FL-1	fig.b	1							
020AA1656	ICYSRG-FL-2	fig.c	2							
020AA1657	ICYSRG-FL-FL	fig.d								

MECHANICAL OIL REGULATOR ADAPTERS

MEKANİK YAĞ REGÜLATÖR ADAPTÖRLERİ



Intended Use:

MECHANICAL OIL REGULATOR ADAPTERS (ICADYR SERIES)
As the mechanical oil regulators are produced with 3 - 4 hole to fix these adapters allows you to use mechanical regulators with other compressors which have threaded connection.

Technical Specification:

Working Pressure : 33 Bar
Working Temperature : -10 / 120 °C

Kullanım Alanı:

YAĞ REGÜLATÖRÜ ADAPTÖRÜ (ICADYR SERİSİ)
Standart olarak 3 - 4 delik bağlantılı kompresörler için üretilen yağ regülâtörlerinin diğer tüm kompresörlerde kullanılabilmesi için imal edilen adaptörlerdir.

Teknik Özellikler:

Çalışma Basıncı : 33 Bar
Çalışma Sıcaklığı : -10 / 120 °C



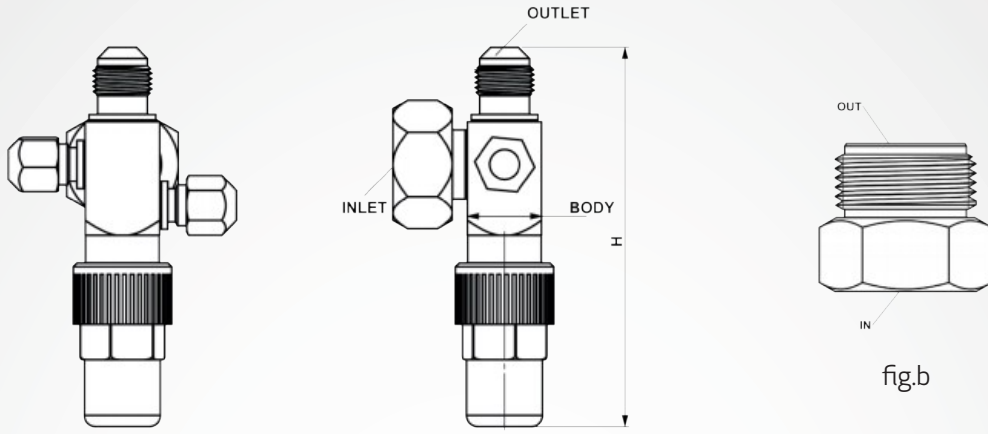


fig.a

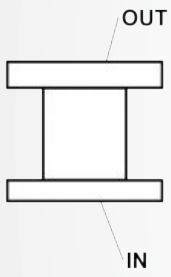


fig.c

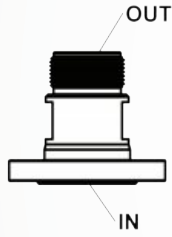


fig.d

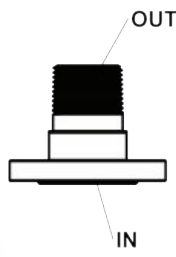


fig.e

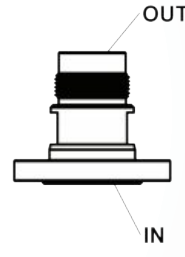


fig.f

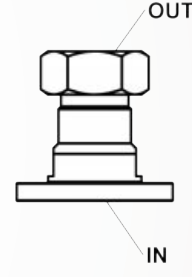


fig.g

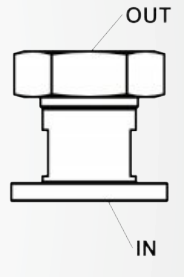


fig.h

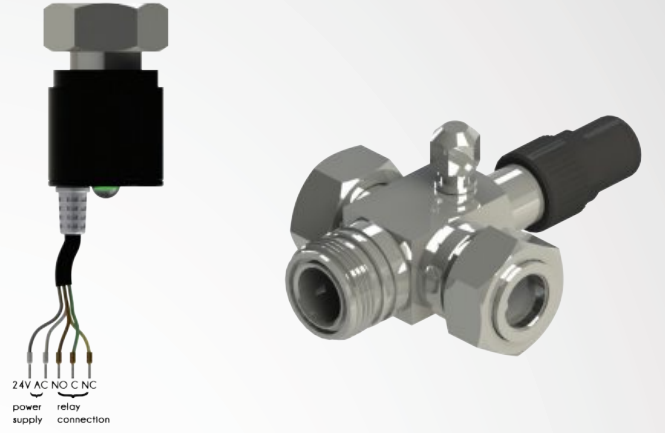
TECHNICAL DATA

TEKNİK BİLGİ

Code Kod	Type Tip	Draw. Şekil	Connections Bağlantılar			
			Inlet Giriş	Outlet Çıkış	Oil Regulator Yağ Regülatörü	Compressor Kompresör
020AA1658	ICRV-D 1" - 3/8" AA	fig.a	1" RTK	3/8" SAE	-	-
020AA1659	ICADYR-201	fig.b	3/8" SAE	1" RV	-	-
020AA1660	ICADYR-101	fig.c	-	-	FL 3-4 X 6,5 mm	FL 3-4 X 6,5 mm
020AA1661	ICADYR-102	fig.d	-	-		1 1/8" UNEF
020AA1662	ICADYR-103	fig.e	-	-		3/4" NPT
020AA1663	ICADYR-104	fig.f	-	-		1 1/8" - 12 UNF
020AA1664	ICADYR-105	fig.g	-	-		1 1/4" - 12 UNF
020AA1665	ICADYR-106	fig.h	-	-		1 3/4" - 12 UNF

OPTO-ELECTRONIC LEVEL CONTROLLER

OPTO-ELEKTRONİK SEVİYE KONTROL



Intended Use:

OPTO-ELECTRONIC LEVEL CONTROLLER (ICLC SERIES)
The function is to detect if there is a liquid or oil at the attached level or not, and to give electronic output accordingly. ICLC-2 has an internal relay so that you can connect it directly to a contactor or to control anything you like. The level controller has to be tightened directly to a 1 1/4" Rotalock form thread.

Technical Specification:

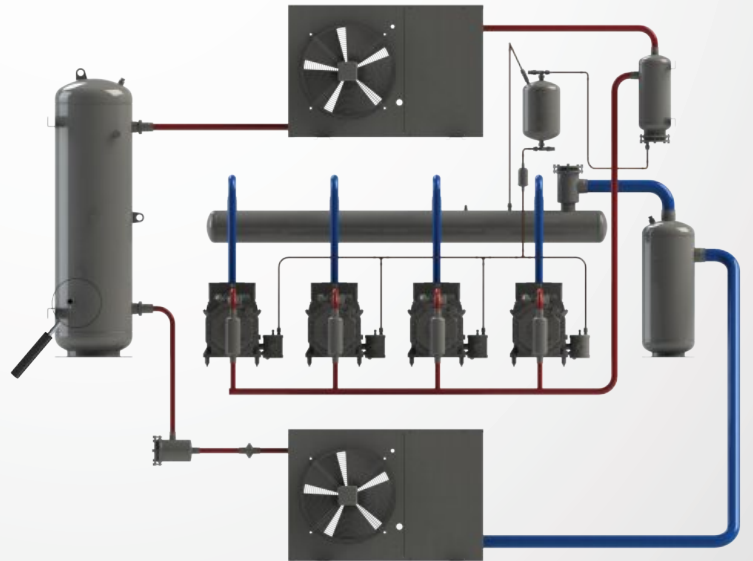
Working Pressure : 33 Bar
Working Temperature : -10 /120 °C

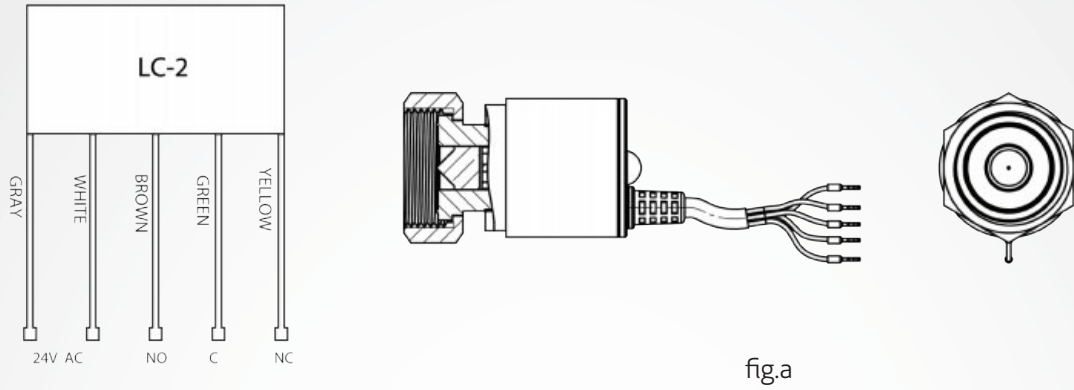
Kullanım Alanı:

OPTO-ELEKTRONİK SEVİYE KONTROL ADAPTÖRÜ (ICLC SERİSİ)
Likit veya yağ gibi sıvıların cihazın monte edildiği seviyede var olup olmadığını algılayan ve buna istinaden elektronik çıkış veren cihazımızdır. Çıkışında röle bulunan ICLC-2 serisi gibi modelleri bir kontaköre bağlanabileceği gibi doğrudan çıkış için de kullanılabilir. Standart olarak 1 1/4" Rotalog dişliye bağlanabilmektedir.

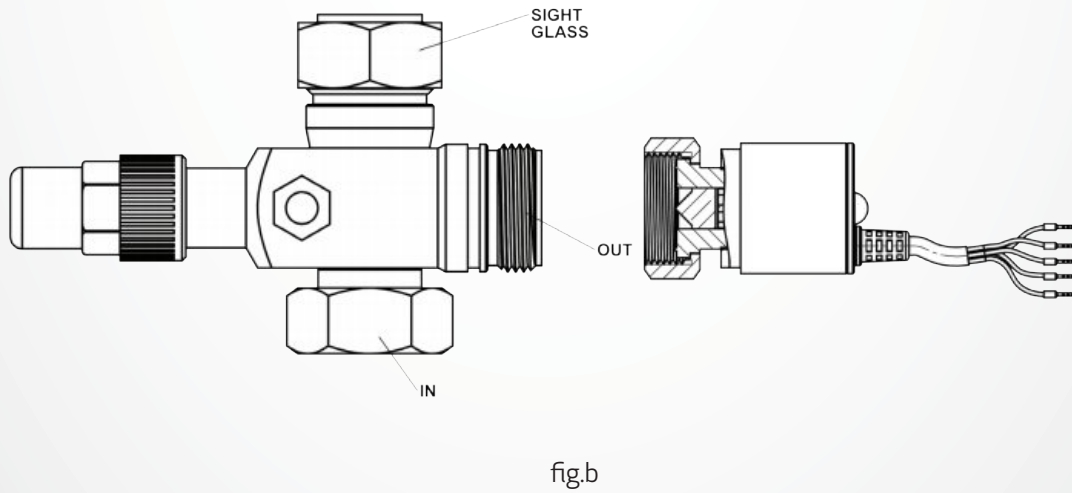
Teknik Özellikler:

Çalışma Basıncı : 33 Bar
Çalışma Sıcaklığı : -10 /120 °C





TECHNICAL DATA								TEKNİK BİLGİ
Code Kod	Type Tip	Draw. Şekil	Mounting Connection Montaj Bağlantısı	Supply Voltage Besleme Gerilimi	Supply Current Besleme Akımı	Relay Rating Röle Değeri	Relay Contacts Röle Konağı	Cable Length Kablo Uzunluğu
020AA1666	ICLC-2	fig.a	1 1/4" - 12 UNF	24 V AC	0,5 A	5 A	C, NC, NO	2m



TECHNICAL DATA				TEKNİK BİLGİ		
Code Kod	Type Tip	Draw. Şekil	Connections Bağlantılar			
			Inlet Giriş	Sight Glass Gözetleme Camı	Level Sensor Seviye Sensörü	
020AA1667	ICRV ER 1 1/4" - 1 1/4"	fig.b	RV 1 1/4"	1	RV 1 1/4"	

LEVEL CONTROLLER ADAPTERS

SEVİYE KONTROL ADAPTÖRLERİ



Intended Use:

LEVEL CONTROLLER ADAPTERS (ICADLC SERIES)
These adapters allow you to use LC Series Opto-Electronic Level Controllers with different connections.

Technical Specification:

Working Pressure : 33 Bar
Working Temperature : -10 / 120 °C

Kullanım Alanı:

SEVİYE KONTROL CİHAZI ADAPTÖRÜ (ICADLC SERİSİ)
Opto-Elektronik seviye kontrol cihazımızın farklı bağlantı manşonlarına bağlanarak kullanılabilmesini sağlayan adaptörlerdir.

Teknik Özellikler:

Çalışma Basıncı : 33 Bar
Çalışma Sıcaklığı : -10 / 120 °C

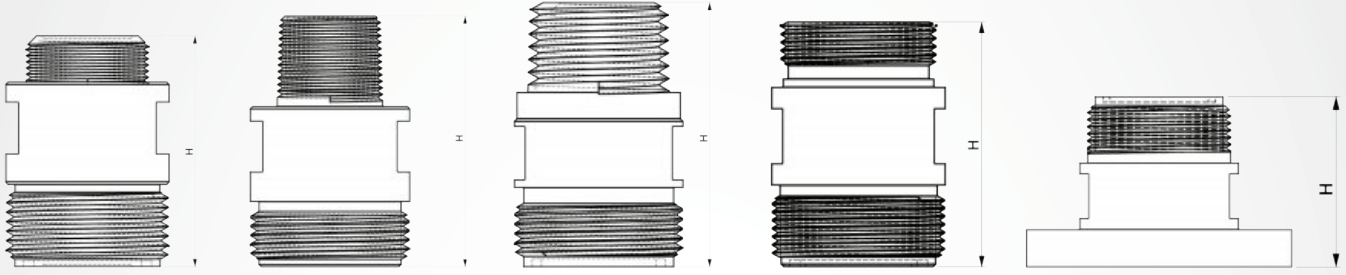


fig.a

fig.b

fig.c

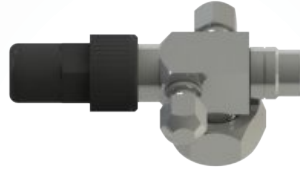
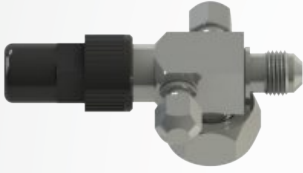
fig.d

fig.e

TECHNICAL DATA				TEKNİK BİLGİ	
Code Kod	Type Tip	Draw. Şekil	H	Connections Bağlantılar	
				Inlet Giriş	Outlet Çıkış
020AA1668	ICADLC-001	fig.a	45	M24x1	1 1/4" RTK
020AA1669	ICADLC-002	fig.b	50	1/2" NPT	
020AA1670	ICADLC-003	fig.c	50	3/4" NPT	
020AA1671	ICADLC-004	fig.d	45	1 1/8" UNF	
020AA1672	ICADLC-005	fig.e	38,5	FL 3-4x6,5 mm	

ROTALOCK VALVES

ROTALOG VANALAR



Intended Use:

ROTALOCK VALVES (ICRV SERIES)

The main function is to be a part of a system where you can close the line and to unscrew the components. According to the model of the valves it will be without service valve connection, with one service connection or with two service connections. The service connections are 1/4"SAE connections.

Technical Specification:

Working Pressure : 33 Bar

Working Temperature : -10 / 120 °C

Kullanım Alanı:

ROTALOG VANA (ICRV SERİSİ)

Genel amacı sistemde hattın kapatılacağı ve sökülebileceği noktalar oluşturmak veya gerekli durumlarda kaynaklı bağlantı yerine daha pratik olan dişli bağlantı ekipmanları kullanmaya yöneliktir. Ürün çeşidine göre üzerinde bulunan 1/4"SAE servis portları ile ilave bağlantılar sağlanabilir.

Teknik Özellikler:

Çalışma Basıncı : 33 Bar

Çalışma Sıcaklığı : -10 / 120 °C

TECHNICAL DATA				TEKNİK BİLGİ					
Code Kod	Type Tip	Draw. Şekil	Body Square Gövde Boyutu	Connections Bağlantılar					
				Inlet Giriş	Outlet Çıkış	Service Valve Servis Vanası			
O20AA1673	ICRV 1" - 6	figa	20	1" RTK	6,4 ODS	-			
O20AA1674	ICRV 1" - 6 A					1 x 1/4" SAE			
O20AA1675	ICRV 1" - 6 AA				2 x 1/4" SAE				
O20AA1676	ICRV 1" - 10				-				
O20AA1677	ICRV 1" - 10 A				9,6 ODS	1 x 1/4" SAE			
O20AA1678	ICRV 1" - 10 AA				2 x 1/4" SAE				
O20AA1679	ICRV 1" - 12				-				
O20AA1680	ICRV 1" - 12 A				12,8 ODS	1 x 1/4" SAE			
O20AA1681	ICRV 1" - 12 AA				2 x 1/4" SAE				
O20AA1682	ICRV 1" - 16				-				
O20AA1683	ICRV 1" - 16 A				16,1 ODS	1 x 1/4" SAE			
O20AA1684	ICRV 1" - 16 AA				2 x 1/4" SAE				
O20AA1685	ICRV 1 1/4" - 19				-				
O20AA1686	ICRV 1 1/4" - 19 A				19,1 ODS	1 x 1/4" SAE			
O20AA1687	ICRV 1 1/4" - 19 AA				2 x 1/4" SAE				
O20AA1688	ICRV 1 1/4" - 22				30	1 1/4" RTK	-		
O20AA1689	ICRV 1 1/4" - 22 A						22,5 ODS	1 x 1/4" SAE	
O20AA1690	ICRV 1 1/4" - 22 AA						2 x 1/4" SAE		
O20AA1691	ICRV 1 1/4" - 28	-							
O20AA1692	ICRV 1 1/4" - 28 A	28,7 ODS	1 x 1/4" SAE						
O20AA1693	ICRV 1 1/4" - 28 AA	2 x 1/4" SAE							
O20AA1694	ICRV 1 3/4" - 28 AA	35	1 3/4" RTK	2 x 1/4" SAE					
O20AA1695	ICRV 1 3/4" - 35			-					
O20AA1696	ICRV 1 3/4" - 35 A			35,2 ODS	1 x 1/4" SAE				
O20AA1697	ICRV 1 3/4" - 35 AA	2 x 1/4" SAE							
O20AA1698	ICRV 2 1/4" - 42	50	2 1/4" RTK	-					
O20AA1699	ICRV 2 1/4" - 42 A			42,1 ODS	1 x 1/4" SAE				
O20AA1700	ICRV 2 1/4" - 42 AA			2 x 1/4" SAE					
O20AA1701	ICRV 2 1/4" - 54			-					
O20AA1702	ICRV 2 1/4" - 54 A			54,2 ODS	1 x 1/4" SAE				
O20AA1703	ICRV 2 1/4" - 54 AA			2 x 1/4" SAE					
O20AA1704	ICRV 1" - 1/4"	figb	20	1" RTK	-				
O20AA1705	ICRV 1" - 1/4" A				1/4" SAE	1 x 1/4" SAE			
O20AA1706	ICRV 1" - 1/4" AA				2 x 1/4" SAE				
O20AA1707	ICRV 1" - 3/8"				-				
O20AA1708	ICRV 1" - 3/8" A				3/8" SAE	1 x 1/4" SAE			
O20AA1709	ICRV 1" - 3/8" AA				2 x 1/4" SAE				
O20AA1710	ICRV 1" - 1/2"				-				
O20AA1711	ICRV 1" - 1/2" A				1/2" SAE	1 x 1/4" SAE			
O20AA1712	ICRV 1" - 1/2" AA				2 x 1/4" SAE				
O20AA1713	ICRV 1" - 5/8"				-				
O20AA1714	ICRV 1" - 5/8" A				5/8" SAE	1 x 1/4" SAE			
O20AA1715	ICRV 1" - 5/8" AA				2 x 1/4" SAE				
O20AA1716	ICCV 100-54				figc	-	FL 100	54,2 ODS	1 x 1/4" NPT
O20AA1717	ICCV 100-67							67,3 ODS	
O20AA1718	ICCV 120-67						FL 120	67,3 ODS	2 x 1/4" NPT
O20AA1719	ICCV 120-76	76,3 ODS							
O20AA1720	ICCV 120-80	80,3 ODS							

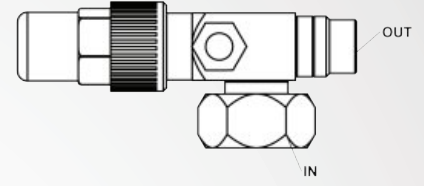


fig.a

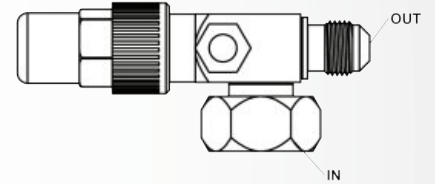


fig.b

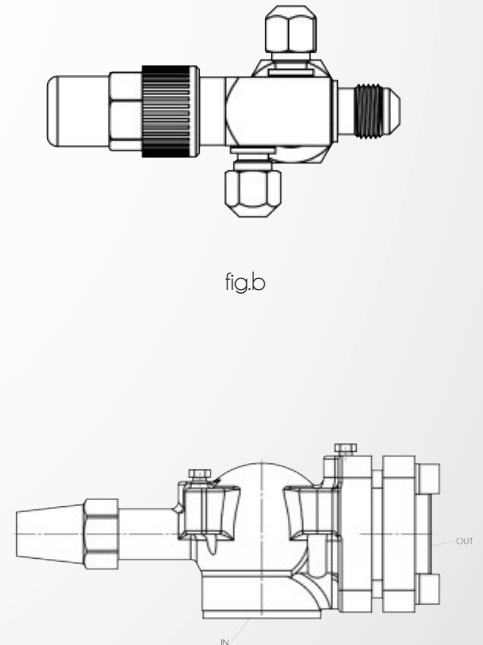
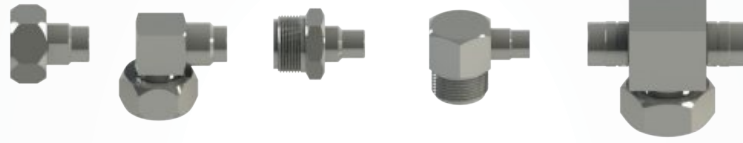


fig.c

ADAPTERS

ADAPTÖRLER



Intended Use:

ROTALOCK ADAPTERS (ICRA SERIES)

These adapters allow you to change a rotalock form thread to a solder connection.

ODS ADAPTERS (ICOA SERIES)

These adapters allow you to change a solder connection to a rotalock form thread.

Technical Specification:

Working Pressure : 33 Bar

Working Temperature : -10 / 120 °C

Kullanım Alanı:

ROTALOG ADAPTÖR (ICRA SERİSİ)

Rotalog dişli bir bağlantının kaynaklı olarak devam ettirilebilmesi için imal edilmekte olan adaptörlerdir. Düz ve 90°lik dirsek modelleri mevcuttur.

ODS ADAPTÖR (ICOA SERİSİ)

Kaynaklı bağlantıların dişli bir bağlantı ile devam ettirilebilmesi için imal edilmekte olan adaptörlerdir. Düz ve 90°lik dirsek modelleri mevcuttur.

Teknik Özellikler:

Çalışma Basıncı : 33 Bar

Çalışma Sıcaklığı : -10 / 120 °C

TECHNICAL DATA				TEKNİK BİLGİ	
Code Kod	Type Tip	Draw. Şekil	Body Square Gövde Boyutu	Connections Bağlantılar	
				Inlet Giriş	Outlet Çıkış
020AA1721	ICRA 3/4" - 6	fig.a	22 Six Corners Altıköşe	3/4" RTK	6,4 ODS
020AA1722	ICRA 3/4" - 10				9,6 ODS
020AA1723	ICRA 3/4" - 12				12,8 ODS
020AA1724	ICRA 1" - 6		30 Six Corners Altıköşe	1" RTK	6,4 ODS
020AA1725	ICRA 1" - 10				9,6 ODS
020AA1726	ICRA 1" - 12				12,8 ODS
020AA1727	ICRA 1" - 16				16,1 ODS
020AA1728	ICRA 1 1/4" - 16		36 Six Corners Altıköşe	1 1/4" RTK	16,1 ODS
020AA1729	ICRA 1 1/4" - 19				19,1 ODS
020AA1730	ICRA 1 1/4" - 22				22,5 ODS
020AA1731	ICRA 1 1/4" - 28				28,7 ODS
020AA1732	ICRA 1 3/4" - 28				50 Six Corners Altıköşe
020AA1733	ICRA 1 3/4" - 35		35,2 ODS		
020AA1734	ICRA 2 1/4" - 42		65 Six Corners Altıköşe	2 1/4" RTK	42,1 ODS
020AA1735	ICRA 2 1/4" - 54				54,2 ODS
020AA1736	ICRA-90° 3/4" - 6	fig.b	20 Square Kare	3/4" RTK	6,4 ODS
020AA1737	ICRA-90° 3/4" - 10				9,6 ODS
020AA1738	ICRA-90° 3/4" - 12				12,8 ODS
020AA1739	ICRA-90° 1" - 6		30 Square Kare	1" RTK	16,1 ODS
020AA1740	ICRA-90° 1" - 10				9,6 ODS
020AA1741	ICRA-90° 1" - 12				12,8 ODS
020AA1742	ICRA-90° 1" - 16				16,1 ODS
020AA1743	ICRA-90° 1 1/4" - 16		35 Square Kare	1 1/4" RTK	16,1 ODS
020AA1744	ICRA-90° 1 1/4" - 19				19,1 ODS
020AA1745	ICRA-90° 1 1/4" - 22				22,5 ODS
020AA1746	ICRA-90° 1 1/4" - 28				28,7 ODS
020AA1747	ICRA-90° 1 1/4" - 35				50 Square Kare
020AA1748	ICRA-90° 1 3/4" - 28		28,7 ODS		
020AA1749	ICRA-90° 1 3/4" - 35		50 Square Kare	2 1/4" RTK	35,2 ODS
020AA1750	ICRA-90° 2 1/4" - 42				42,1 ODS
020AA1751	ICRA-90° 2 1/4" - 54	54,2 ODS			
020AA1752	ICRA-T 3/4" - 6	fig.c	20 Square Kare	3/4" RTK	6,4 ODS
020AA1753	ICRA-T 3/4" - 10				9,6 ODS
020AA1754	ICRA-T 3/4" - 12				12,8 ODS
020AA1755	ICRA-T 1" - 6		30 Square Kare	1" RTK	6,4 ODS
020AA1756	ICRA-T 1" - 10				9,6 ODS
020AA1757	ICRA-T 1" - 12				12,8 ODS
020AA1758	ICRA-T 1" - 16				16,1 ODS
020AA1759	ICRA-T 1 1/4" - 16		35 Square Kare	1 1/4" RTK	16,1 ODS
020AA1760	ICRA-T 1 1/4" - 19				19,1 ODS
020AA1761	ICRA-T 1 1/4" - 22				22,5 ODS
020AA1762	ICRA-T 1 1/4" - 28				28,7 ODS
020AA1763	ICRA-T 1 3/4" - 28				50 Square Kare
020AA1764	ICRA-T 1 3/4" - 35		35,2 ODS		
020AA1765	ICRA-T 2 1/4" - 42		50 Square Kare	2 1/4" RTK	42,1 ODS
020AA1766	ICRA-T 2 1/4" - 54				54,2 ODS

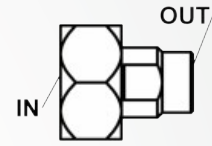


fig.a

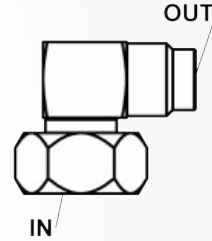


fig.b

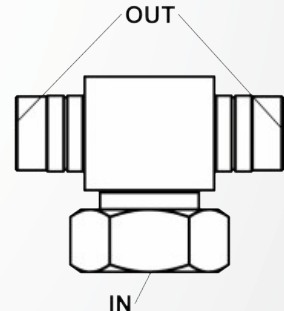


fig.c

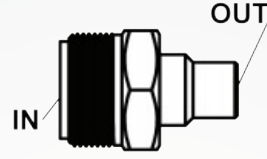


fig.a

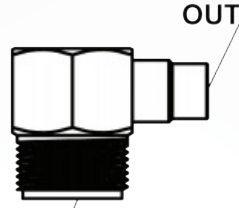


fig.b

TECHNICAL DATA			TEKNİK BİLGİ	
Code Kod	Type Tip	Draw. Şekil	Connections Bağlantılar	
			Inlet Giriş	Outlet Çıkış
020AA1767	ICOA 6 - 1"	fig.a	6,4 ODS	1" RTK
020AA1768	ICOA 10 - 1"		9,6 ODS	
020AA1769	ICOA 12 - 1"		12,8 ODS	
020AA1770	ICOA 16 - 1"		16,1 ODS	1 1/4" RTK
020AA1771	ICOA 16 - 1 1/4"		16,1 ODS	
020AA1772	ICOA 19 - 1 1/4"		19,1 ODS	
020AA1773	ICOA 22 - 1 1/4"		22,5 ODS	1 3/4" RTK
020AA1774	ICOA 28 - 1 1/4"		28,7 ODS	
020AA1775	ICOA 28 - 1 3/4"		28,7 ODS	
020AA1776	ICOA 35 - 1 3/4"	35,2 ODS		
020AA1777	ICOA-90° 10 - 1"	fig.b	9,6 ODS	1" RTK
020AA1778	ICOA-90° 12 - 1"		12,8 ODS	
020AA1779	ICOA-90° 16 - 1"		16,1 ODS	
020AA1780	ICOA-90° 16 - 1 1/4"		16,1 ODS	1 1/4" RTK
020AA1781	ICOA-90° 19 - 1 1/4"		19,1 ODS	
020AA1782	ICOA-90° 22 - 1 1/4"		22,5 ODS	
020AA1783	ICOA-90° 28 - 1 1/4"		28,7 ODS	1 3/4" RTK
020AA1784	ICOA-90° 28 - 1 3/4"		28,7 ODS	
020AA1785	ICOA-90° 35 - 1 3/4"		35,2 ODS	

SUCTION COLLECTORS

EMIŞ HATTI KOLLEKTÖRÜ



Intended Use:

SUCTION COLLECTOR (ICDK SERIES)

Collector is a suction side component of a central system. Each compressor in a multi compressor rack can get required amount of suction gas from the system by help of the collector. Collectors also protects compressors against direct liquid refrigerant flow in to them. Also it is easy to design and manufacturing of central systems with the collectors.

Technical Specification:

Working Pressure : 33 Bar

Working Temperature : -10 / 120 °C

Kullanım Alanı:

EMIŞ HATTI KOLLEKTÖRÜ (ICDK SERİSİ)

Çok kompresörlü merkezi sistemlerde, kompresörlerin ihtiyaç duydukları kadar dönüş gazını sistemden alabilmelerini sağlayan, sistemden dönecek olası likitin kompresöre gitmesini önleyen ve merkezi sistem ünitelerinin tasarım ve imalatını kolaylaştıran dönüş hattı elemanıdır.

Teknik Özellikler:

Çalışma Basıncı : 33 Bar

Çalışma Sıcaklığı : -10 / 120 °C



SUBCRITICAL CO₂
46 Bar



TRANSCRITICAL CO₂
130 Bar







www.i-cold.com

Agent

ideal

İDEAL SOĞUTMA EKİPMANLARI İÇ ve DIŞ TİC. SAN. A.Ş.

Mimar Sinan Mahallesi, Mimar Sinan Caddesi No: 8/5 Çekmeköy - İstanbul / TÜRKİYE

Tel: +90 (216) 642 80 90 - Fax: +90 (216) 640 48 12 - info@i-cold.com

ICMED-01 EN/TR R3